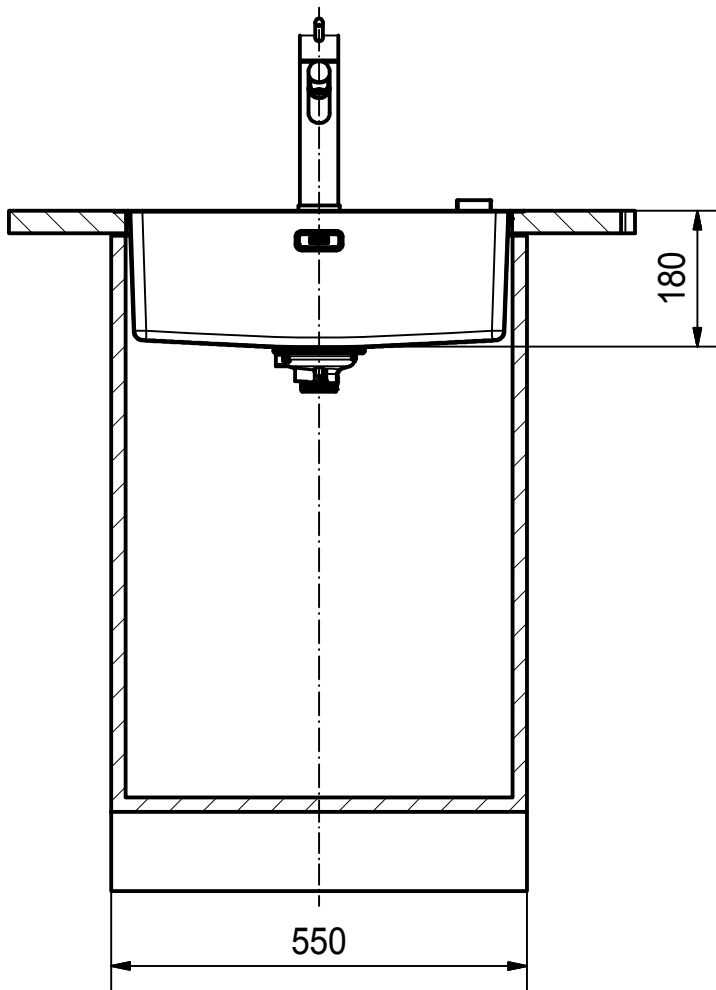


DF



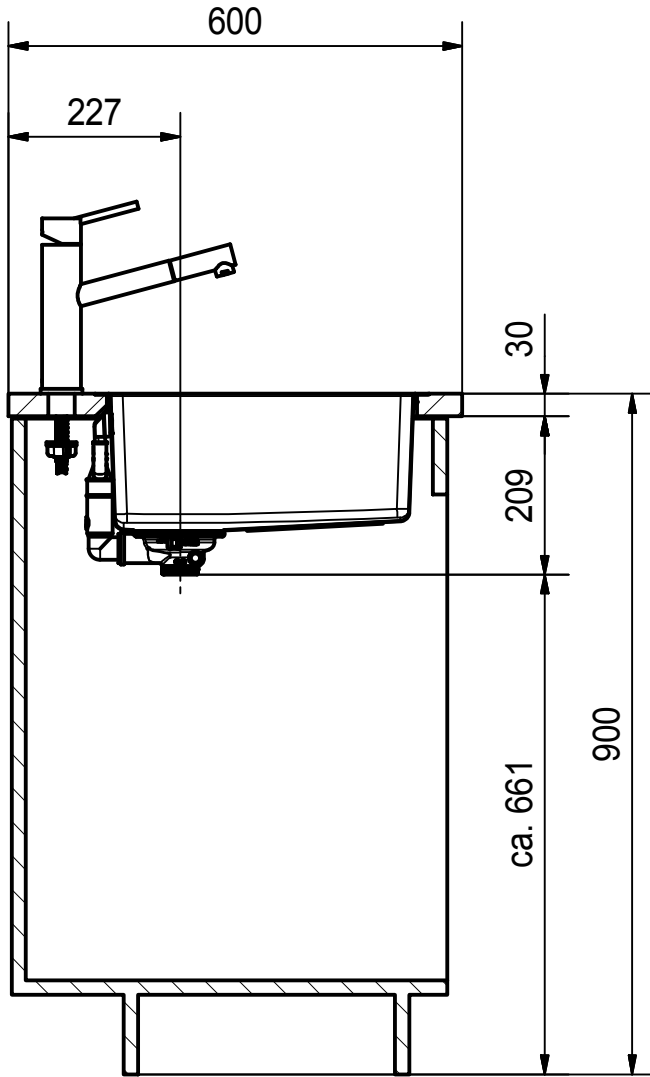
Drawing No.	20118298	Revision	C
Drawn Date	13.06.2017		
<small>These drawings and specifications are the property of Franke Technology and Trademark Ltd. and shall not be reproduced, copied or transferred to any third party without the prior written permission of Franke Technology and Trademark Ltd., Hergiswil, Switzerland</small>			



MRX 210-50 SI
installing document

Sheet	Sheets
1	6

DS



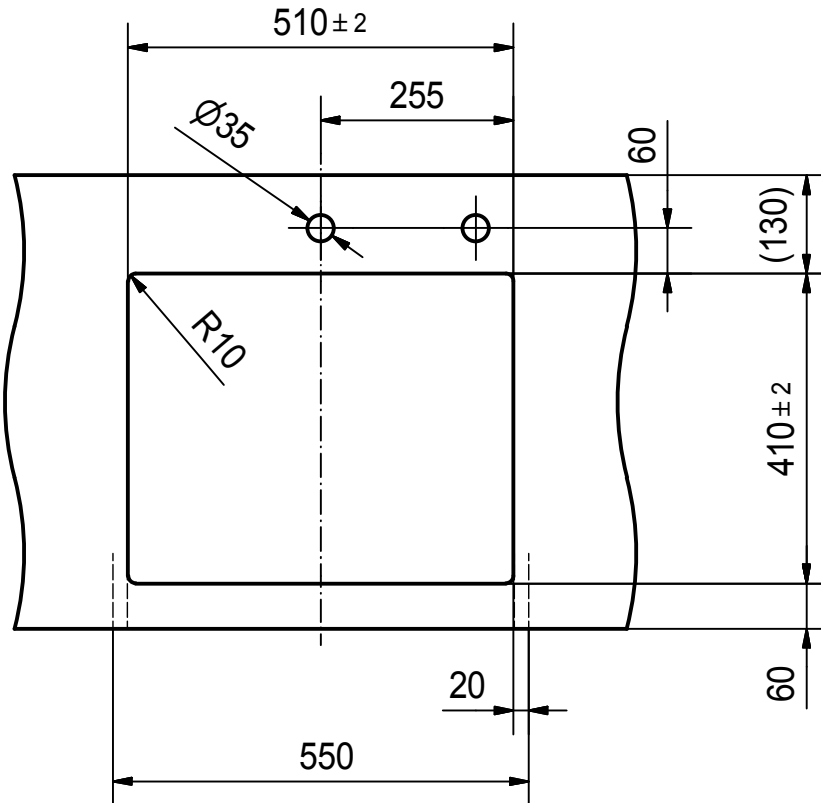
Drawing No.	20118298	Revision	C
Drawn Date	13.06.2017		
<small>These drawings and specifications are the property of Franke Technology and Trademark Ltd. and shall not be reproduced, copied or transferred to any third party without the prior written permission of Franke Technology and Trademark Ltd., Hergiswil, Switzerland</small>			



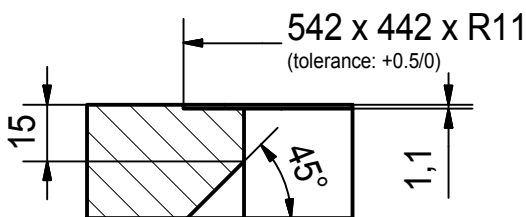
MRX 210-50 SI
installing document

Sheet	Sheets
2	6

CO



for flush fit only



Drawing No.	20118298	Revision	C
Drawn Date	13.06.2017		
<small>These drawings and specifications are the property of Franke Technology and Trademark Ltd. and shall not be reproduced, copied or transferred to any third party without the prior written permission of Franke Technology and Trademark Ltd., Hergiswil, Switzerland</small>			



MRX 210-50 SI
installing document

Sheet	Sheets
3	6

CNC



Drawing No.	20118298	Revision	C
Drawn Date	13.06.2017		
<small>These drawings and specifications are the property of Franke Technology and Trademark Ltd. and shall not be reproduced, copied or transferred to any third party without the prior written permission of Franke Technology and Trademark Ltd., Hergiswil, Switzerland</small>			

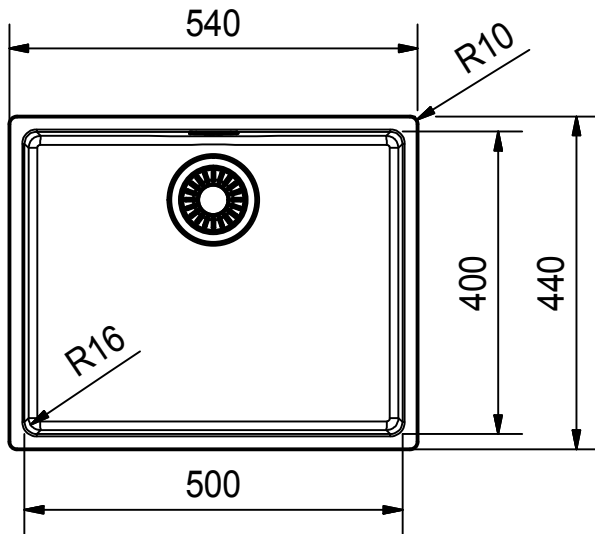


MRX 210-50 SI
installing document

Sheet	Sheets
4	6

SAP Material no. Document ID 20118298-04 C

DT



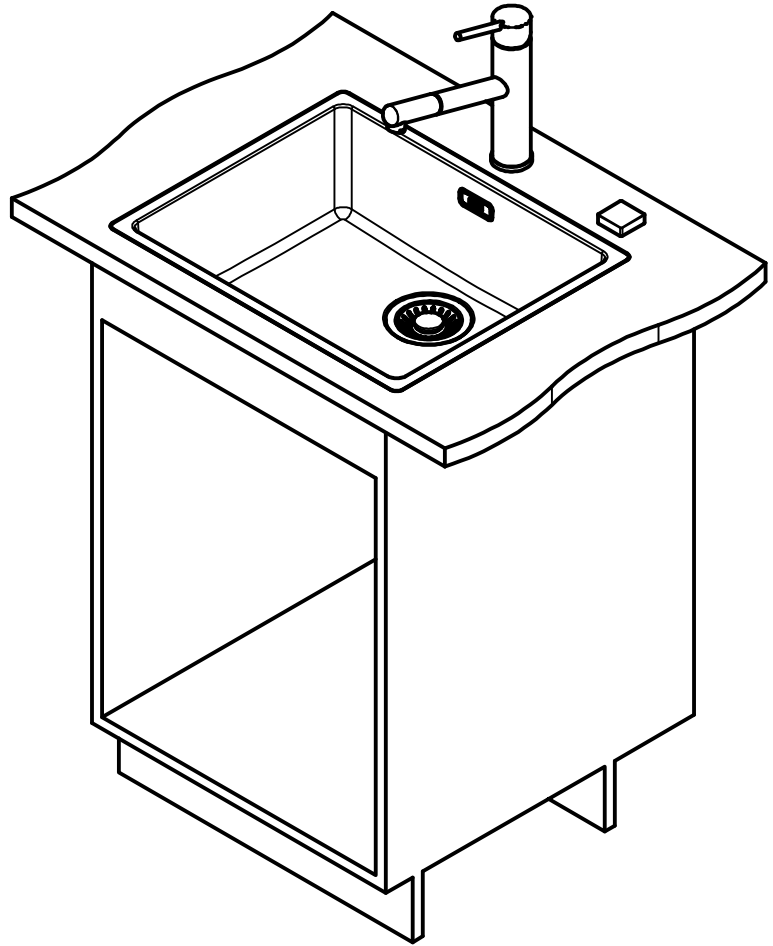
Drawing No.	20118298	Revision	C
Drawn Date	13.06.2017		
<small>These drawings and specifications are the property of Franke Technology and Trademark Ltd. and shall not be reproduced, copied or transferred to any third party without the prior written permission of Franke Technology and Trademark Ltd., Hergiswil, Switzerland</small>			



MRX 210-50 SI
installing document

Sheet	Sheets
5	6

ISO



Drawing No.	20118298	Revision	C
Drawn Date	13.06.2017		
<small>These drawings and specifications are the property of Franke Technology and Trademark Ltd. and shall not be reproduced, copied or transferred to any third party without the prior written permission of Franke Technology and Trademark Ltd., Hergiswil, Switzerland</small>			



MRX 210-50 SI
installing document

Sheet	Sheets
6	6