

Created by **Palazzi, Walter**

Denomination
DIMENSIONAL DRAWING

Lang **EN**  Sheet **1/2**

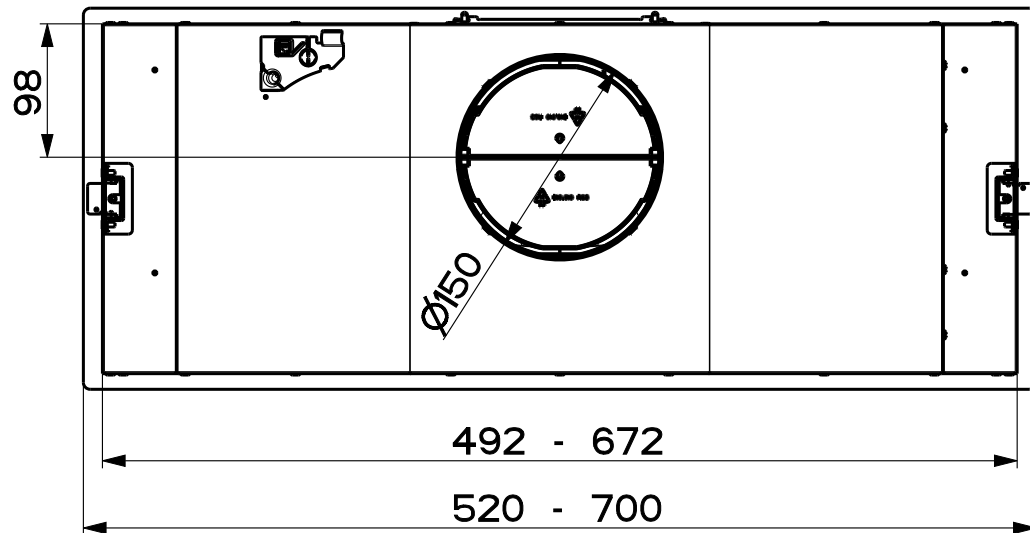
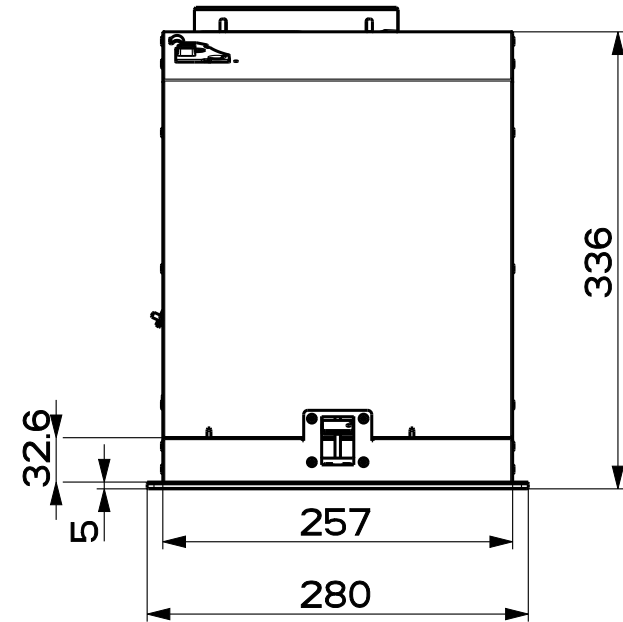
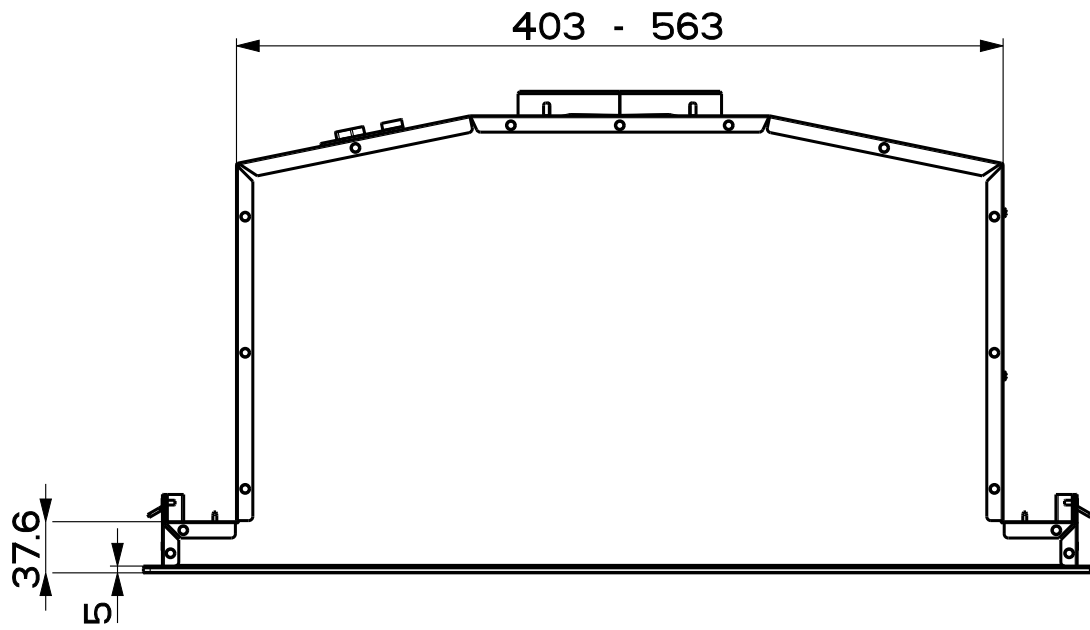
Modif.by

Approved by **Palazzi, Walter**

Approval date **03-Aug-2021**

Doc. status **Released**

Drawing N.
305052_709 Rev
02



Created by Palazzi, Walter	
Denomination DIMENSIONAL DRAWING	
Lang EN	Sheet 2/2
Modif.by	
Approved by Palazzi, Walter	
Approval date 03-Aug-2021	
Doc. status Released	
Drawing N. 305052_709	Rev 02