

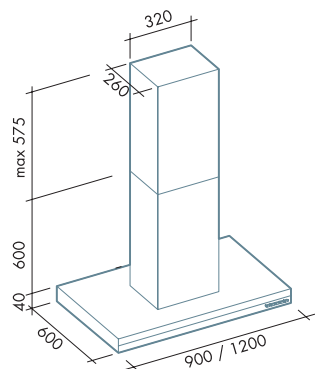
LUMEN

Caratteristiche generali

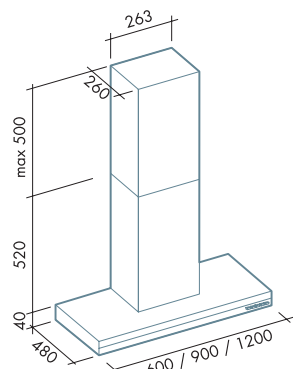
Acciaio inox (AISI 304) spazzolato. Filtro antigrasso metallico, asportabile e lavabile. Filtro carbone. Pulsantiera elettronica.

General features

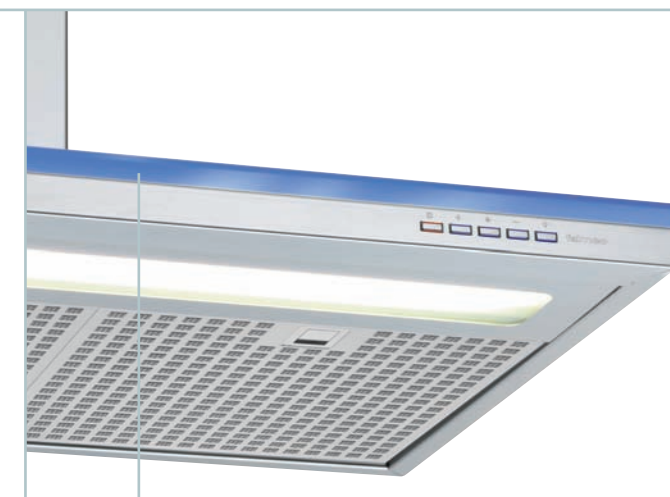
Scotch brite Stainless steel (AISI 304). Metallic grease filter, removable and washable. Charcoal filter. Electronic optical control.



isola/island



parete/wall



Disponibile con metacrilato illuminato blu o bianco

White or blue illuminated front available



isola/island

90

120



parete/wall

60

90

120

motore e comandi / motor and control

450 m³/h 3 vel. 600 m³/h 3 vel. 800 m³/h 4 vel.

P.E.L.

P.E.L.

P.E.L.

filtri / filters

"Base" "Top" carbone/charcoal

285 x 301 mm

3

285 x 301 mm

3

278 x 301 mm

3

285 x 301 mm

3

285 x 301 mm

3

illuminazione / lighting

Halogen lamp Dicroica lamp Incandescent lamp Fluorescent lamp

2 x 21 Watt

2 x 28 Watt

1 x 13 Watt

1 x 21 Watt

1 x 28 Watt

ACCESSORI OPZIONALI DISPONIBILI: Aspiratore sottotetto (solo versione 800 m³/h) - Aspiratore esterno (solo versione 800 m³/h) - Prolunga camino parete - Prolunga camino isola - Kit parete acciaio - Salvietta *Magic Steel*

AVAILABLE OPTIONAL ACCESSORIES: Under-roof extractor fan (only 800 m³/h version) - Outdoor extractor fan (only 800 m³/h version) - Wall chimney extension - Island chimney extension - Stainless steel backsplash - *Magic Steel* protective and cleaning wipe

LUMEN

Design

new
600 800 © PATENTED

AIS 304

