



Old metal - OM

CHLOÈ

CHLOÈ EV8P OM A70 cod. 110.0456.129

CHLOÈ EV8P OC A70 cod. 110.0456.174

CHLOÈ EV8P CI A70 cod. 110.0456.175

CHLOÈ EV8P OB A70 cod. 110.0456.177

CHLOÈ EV8P DG MATT A70 cod. 110.0458.989

CHLOÈ EV8P CG MATT A70 cod. 110.0459.033



HOOD&HOB



Old copper - OC



Cast iron - CI



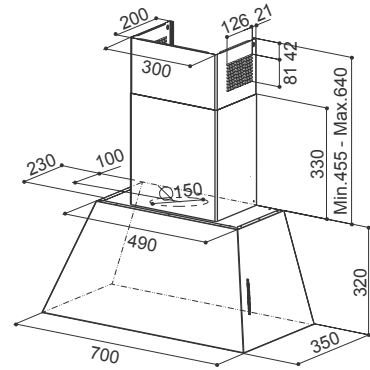
Old brass - OB



Dark grey matt - DG MATT



Country grey matt - CG MATT



FEATURES	PERFORMANCES	ACCESSORIES
Finish	Speed	Cod. 112.0157.240
· Old metal	1 2 3 INT	F8 Charcoal filter
· Old copper	Air capacity	Cod. 112.0158.127
· Cast iron	IEC point	FHP8 Charcoal filter High Performance
· Old brass	300 430 590 700	Cod. 112.0185.278
· Dark grey matt	Pressure	FLL8 Charcoal filter Long Lasting
· Country grey matt	440 500 530 550	
Controls	Input	
Electronic Led	190 230 255 270	
Lighting	Noise level	
LED light	51 59 66 69	
Grease filter		
Cassettes dishwasher safe		
Ø of air outlet		
150 /120 mm		
Width		
700 mm		
Energy class		
A		