

INSTRUCTION OF USE
MANUALE D'ISTRUZIONE
NOTICE D'UTILISATION
MANUAL DE UTILIZACIÓN

P784IC1B2NEE



SUMMARY

SAFETY	4
PRECAUTIONS BEFORE USAGE.....	4
USING THE APPLIANCE.....	4
PRECAUTIONS TO PREVENT DAMAGE TO THE APPLIANCE.....	5
PRECAUTIONS IN CASE OF APPLIANCE FAILURE.....	6
OTHER PROTECTIONS.....	6
DESCRIPTION OF THE APPLIANCE	7
TECHNICAL CHARACTERISTIC.....	7
CONTROL PANEL.....	8
USE OF THE APPLIANCE	8
SENSITIVE TOUCH.....	8
DISPLAY.....	8
VENTILATION.....	8
STARTING-UP AND APPLIANCE MANAGEMENT	9
BEFORE THE FIRST USE.....	9
INDUCTION PRINCIPLE.....	9
POWER SELECTION ZONE “SLIDER” AND TIMER SETTING ZONE.....	9
STARTING-UP.....	9
PAN DETECTION.....	10
RESIDUAL HEAT INDICATION.....	10
BOOSTER AND DOUBLE BOOSTER FUNCTION.....	10
TIMER.....	11
AUTOMATIC COOKING.....	12
STOP&GO FUNCTION.....	12
RECALL FUNCTION.....	13
BRIDGE FUNCTION.....	13
« KEEP WARM » FUNCTION.....	13
CONTROL PANEL LOCKING.....	14
COOKING ADVICES	15
PAN QUALITY.....	15
PAN DIMENSION.....	15
EXAMPLES OF COOKING POWER SETTING.....	16
MAINTENANCE AND CLEANING	16
WHAT TO DO IN CASE OF A PROBLEM	16
ENVIRONMENT PRESERVATION	18
INSTALLATION INSTRUCTIONS	19
ELECTRICAL CONNECTION	21

SAFETY

Precautions before usage

- Unpack all the materials.
- The installation and connecting of the appliance have to be done by approved specialists. The manufacturer can not be responsible for damage caused by building-in or connecting errors.
- To be used, the appliance must be well-equipped and installed in a kitchen unit and an adapted and approved work surface.
- This domestic appliance is exclusively for the cooking of food, to the exclusion of any other domestic, commercial or industrial use.
- Remove all labels and self-adhesives from the ceramic glass.
- Do not change or alter the appliance.
- The cooking plate can not be used as freestanding or as working surface.
- The appliance must be grounded and connected conforming to local standards.
- Do not use any extension cable to connect it.
- The appliance can not be used above a dishwasher or a tumble-dryer: steam may damage the electronic appliances.
- The appliance is not intended to be operated by means of external timer or separate remote control system.

Using the appliance

- Switch the heating zones off after using.
- Keep an eye on the cooking using grease or oils: that may quickly ignite.
- Be careful not to burn yourself while or after using the appliance.
- Make sure no cable of any fixed or moving appliance contacts with the glass or the hot saucepan.
- Magnetically objects (credit cards, floppy disks, calculators) should not be placed near to the engaged appliance.

- Do not place any metallic object except heating containers. In case of untimely engaging or residual heat, this one may heat, melt or even burn.
- Never cover the appliance with a cloth or a protection sheet. This is supposed to become very hot and catch fire.
- This appliance can be used by children aged from 8 years and above and persons with reduced physical, sensory or mental capabilities or lack of experience and knowledge if they have been given supervision or instruction concerning use of the appliance in a safe way and understand the hazards involved.
- Children shall not play with the appliance.
- Cleaning and user maintenance shall not be made by children without supervision.
- Metallic objects such as knives, forks, spoons and lids should not be placed on the hob surface since they can get hot.

Precautions to prevent damage to the appliance

- Raw pan bottoms or damaged saucepans (not enamelled cast iron pots,) may damage the ceramic glass.
- Sand or other abrasive materials may damage ceramic glass.
- Avoid dropping objects, even little ones, on the vitroceramic.
- Do not hit the edges of the glass with saucepans.
- Make sure that the ventilation of the appliance works according to the manufacturer's instructions.
- Do not put or leave empty saucepans on the vitroceramic hobs.
- Sugar, synthetic materials or aluminium sheets must not contact with the heating zones. These may cause breaks or other alterations of the vitroceramic glass by cooling: switch on the appliance and take them immediately out of the hot heating zone (be careful: do not burn yourself).
- **WARNING:** Danger of fire: do not store items on the cooking surface.
- Never place any hot container over the control panel.
- If a drawer is situated under the embedded appliance, make sure the space between the content of the drawer and the inferior part of the appliance is large enough (2 cm). This is essential to guaranty a correct ventilation.

- Never put any inflammable object (ex. sprays) into the drawer situated under the vitroceramic hob. The eventual cutlery drawers must be resistant to heat.

Precautions in case of appliance failure

- If a defect is noticed, switch off the appliance and turn off the electrical supplying.
- If the ceramic glass is cracked or fissured, you must unplug the appliance and contact the after sales service.
- Repairing has to be done by specialists. Do not open the appliance by yourself.
- **WARNING:** If the surface is cracked, switch off the appliance to avoid the possibility of electric shock.

Other protections

- Note sure that the container pan is always centred on the cooking zone. The bottom of the pan must have to cover as much as possible the cooking zone.
- For the users of pacemaker, the magnetic field could influence its operating. We recommend getting information to the retailer or of the doctor.
- Do not to use aluminium or synthetic material containers: they could melt on still hot cooking zones.
- **NEVER** try to extinguish a fire with water, but switch off the appliance and then cover flame e.g. with a lid or a fire blanket.



THE USE OF EITHER POOR QUALITY POT OR ANY INDUCTION ADAPTOR PLATE FOR NON-MAGNETIC COOKWARE RESULTS IN A WARRANTY BREACH. IN THIS CASE, THE MANUFACTURER CANNOT BE HELD RESPONSIBLE FOR ANY DAMAGE CAUSED TO THE HOB AND/OR ITS ENVIRONMENT.



DESCRIPTION OF THE APPLIANCE

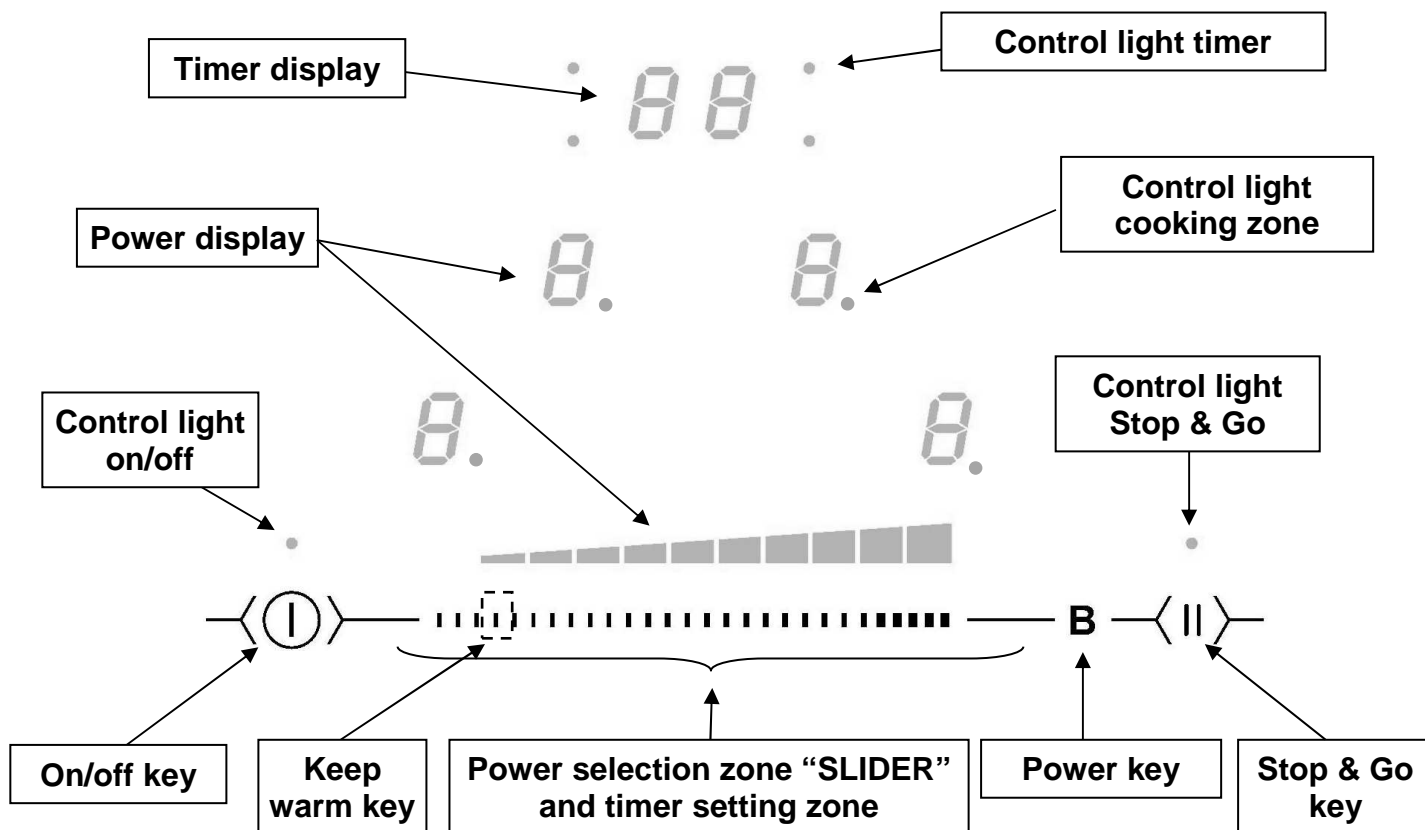
Technical characteristic

Type	P784IC1B2NEE
Total power	7400 W
Energy consumption for the hob EC _{hob} **	168.3 Wh/kg
Front left heating zone	210 x 200 mm
Minimum detection	Ø 90 mm
Nominal power*	2100 W
Booster power*	2500 W
Double Booster power*	3000 W
Standardised cookware category**	B
Energy consumption EC _{cw} **	161.3 Wh/kg
Rear left heating zone	210 x 200 mm
Minimum detection	Ø 90 mm
Nominal power*	1600 W
Booster power*	1850 W
Double Booster power*	-
Standardised cookware category**	B
Energy consumption EC _{cw} **	161.3 Wh/kg
Rear right heating zone	Ø 215 mm
Minimum detection	Ø 100 mm
Nominal power*	2300 W
Booster power*	3000 W
Double Booster power*	-
Standardised cookware category**	C
Energy consumption EC _{cw} **	168.4 Wh/kg
Front right heating zone	Ø 175 mm
Minimum detection	Ø 90 mm
Nominal power*	1100 W
Booster power*	1400 W
Double Booster power*	-
Standardised cookware category**	A
Energy consumption EC _{cw} **	181.9 Wh/kg

* The given power may change according to the dimensions and material of the pan.

** calculated according to the method of measuring performance (EN 60350-2).

Control panel



USE OF THE APPLIANCE

Sensitive touch

Your ceramic hob is equipped with electronic controls with sensitive touch keys. When your finger presses the key, the corresponding command is activated. This activation is validated by a control light, a letter or a number in the display and/or a “beep” sound.

In the case of a general use press only one key at the same time.

Display

<u>Display</u>	<u>Designation</u>	<u>Description</u>
0.	Zero	The heating zone is activated.
1...9	Power level	Selection of the cooking level.
U	No pan detection	No pan or inadequate pan.
A	Heat accelerator	Automatic cooking.
E	Error message	Electronic failure.
H	Residual heat	The heating zone is hot.
P	Power	The boosted power is activated.
L	Locking	Control panel locking.
U	Keep warm	Maintain automatically of 70°C.
II	Stop&Go	The hob is in pause.

Ventilation

The cooling system is fully automatic. The cooling fan starts with a low speed when the calories brought out by the electronic system reach a certain level. The ventilation starts his high speed when the hob is intensively used. The cooling fan reduces his speed and stops automatically when the electronic circuit is cooled enough.

STARTING-UP AND APPLIANCE MANAGEMENT

Before the first use

Clean your hob with a damp cloth, and then dry the surface thoroughly. Do not use detergent which risks causing blue-tinted colour on the glass surface.

Induction principle

An induction coil is located under each heating zone. When it is engaged, it produces a variable electromagnetic field which produces inductive currents in the ferromagnetic bottom plate of the pan. The result is a heating-up of the pan located on the heating zone.

Of course the pan has to be adapted:

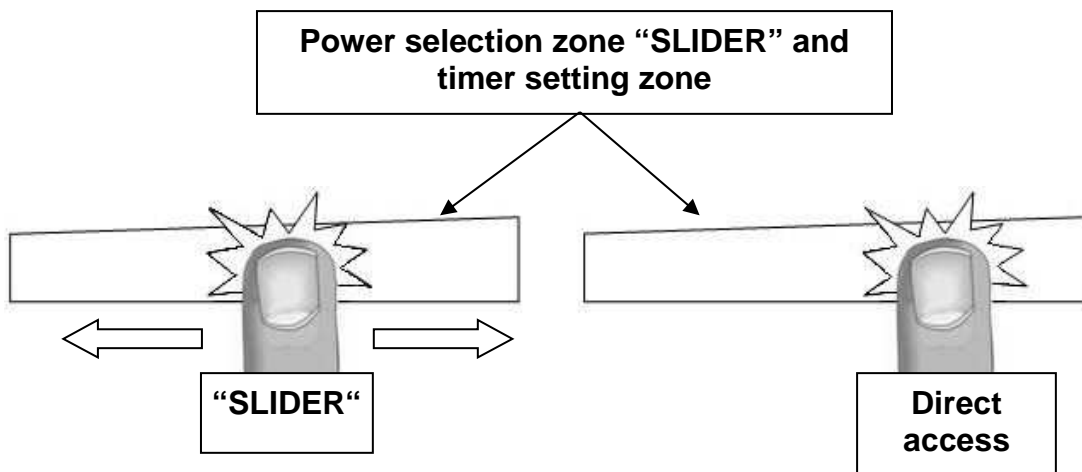
- All ferromagnetic pans are recommended (please verify it thanks a little magnet): cast iron and steel pans, enamelled pans, stainless-steel pans with ferromagnetic bottoms...
- Are excluded: copper, pure stainless-steel, aluminium, glass, wood, ceramic, stoneware,...

The induction heating zone adapts automatically the size of the pan. With a too small diameter the pan doesn't work. This diameter is varying in function of the heating zone diameter.

If the pan is not adapted to the induction hob the display will show [U].

Power selection zone "SLIDER" and timer setting zone

To select the power with the slider, slide your finger on the "SLIDER" zone. You can already have a direct access if you put your finger directly on the chosen level.



Starting-up

- **Start up / switch off the hob:**

<u>Action</u>	<u>Control panel</u>	<u>Display</u>
To start	Press key [0] for 2 sec.	[0] are blinking
To stop	Press key [0] for 2 sec.	Nothing or [H]

- **Start up / switch off a heating zone:**

<u>Action</u>	<u>Control panel</u>	<u>Display</u>
Zone selection	Press [0] of the selected zone	[0] and control light on
To set (adjust the power)	Slide on the "SLIDER" to the right or to the left	[0] to [9]
To stop	Slide to [0] on "SLIDER" or press on [0]	[0] or [H] [0] or [H]

If no action is made within 20 second the electronics returns in waiting position.

Pan detection

The pan detection ensures a perfect safety. The induction doesn't work:

- If there is no pan on the heating zone or if this pan is not adapted to the induction. In this case it is impossible to increase the power and the display shows [U]. This symbol disappears when a pan is put on the heating zone.
- If the pan is removed from the heating zone the operation is stopped. The display shows [U]. The symbol [U] disappears when the pan is put back to the heating zone. The cooking continues with the power level set before.

After use, switch the heat element off: don't let the pan detection [U] active.

Residual heat indication

After switching off of a heating zone or the complete stop of the hob, the heating zones are still hot and indicates [H] on the display.

The symbol [H] disappears when the heating zones may be touched without danger.

As far as the residual heat indicators are on, don't touch the heating zones and don't put any heat sensitive object on them. **There are risks of burn and fire.**

Booster and double booster function

The booster function [B] grants a boost of power to the selected heating zone.

If this function is activated the heating zones work during 10 minutes with an ultra high power.

Power is foreseen for example to heat up rapidly big quantities of water, like nuddles

- **Start up / Stop the booster Power function:**

<u>Action</u>	<u>Control panel</u>	<u>Display</u>
Zone selection	Press key [0] from the zone	[0] and control light on
Start up the booster	Press key [B]	[P] during 5 min
Stop the booster	Slide on the "SLIDER" Or press [B]	[P] to [0] [9]

- **Start up / Stop the super power function:**

<u>Action</u>	<u>Control panel</u>	<u>Display</u>
Selection of the zone	Press key [0]	[0]
Start up booster	Press key [B]	[P]
Start up double booster	Re-press key [B]	[" "] and P]
Stop the double booster	Press key [B]	[P]
Stop booster	Slide on the "SLIDER"	[9] to [0]

- **Power management:**

The hole cooking hob is equipped by a maximum of power. When the booster function is activated, and not to exceed the maximum power, the electronic system orders to reduce automatically the power level of an other heating zone. The display is blinking on [9] during a few seconds and then shows the maximum of power allowed:

<u>Heating zone selected</u> [P] is displayed	<u>The other heating zone:</u> (example: power level 9) [9] goes to [6] or [8] depending the type of zone
--	--

Timer

The timer is able to be used simultaneous with all heating zones and this with different time settings (from 0 to 99 minutes) for each heating zone.

- **Setting and modification of the cooking time :**

Example for 16 minutes at power 7 :

<u>Action</u>	<u>Control panel</u>	<u>Display</u>
Zone selection	Press display [0] selected	[0] and control light on
Select the power level	Slide on the "SLIDER" to [7]	[7]
Select « Timer »	Press display [CL]	[00]
Set the units	Slide on the "SLIDER" to [6]	[0 fixed] [6 blinking]
Valid the units	Press display [06]	[0 blinking] [6 fixed]
Set the tens	Slide on the "SLIDER" to [1]	[1 blinking] [6 fixed]
Valid the tens	Press display [16]	[16]

The time is confirmed and the cooking starts.

- **To stop the cooking time:**

Example for 13 minutes at power 7 :

<u>Action</u>	<u>Control panel</u>	<u>Display</u>
Zone selection	Press display [7] selected	[0] and control light on
Select « Timer »	Press key [13]	[13]
Desactivate the units	Slide on the "SLIDER" to [0]	[1 fixed] [0 blinking]
Valid the units	Press display [10]	[1 blinking] [0 fixed]
Desactivate the tens	Slide on the "SLIDER" to [0]	[0 blinking] [0 fixed]
Valid the tens	Press display [00]	[00]

- **Automatic stop at the end of the cooking time:**

As soon as the selected cooking time is finished the timer displays blink [00] and a sound rings.

To stop the sound and the blinking it is enough to press the key [00].

- **Egg timer function :**

Example for 29 minutes :

<u>Action</u>	<u>Control panel</u>	<u>Display</u>
Activate the hob	Press display [①]	Zone control lights are on
Select« Timer »	Press display [CL]	[00]
Set the units	Slide on the "SLIDER" to [9]	[0 fixed] [9 blinking]
Valid the units	Press display [09]	[0 blinking] [9 fixed]
Set the tens	Slide on the "SLIDER" to [2]	[2 blinking] [9 fixed]
Valid the tens	Press display [29]	[29]

After a few seconds the control light stops blinking.

As soon as the selected cooking time is finished the timer displays blink [00] and a sound rings.

To stop the sound and the blinking it is enough to press the display [00]. The hob switches off.

Automatic cooking

All the cooking zones are equipped with an automatic cooking device. The cooking zone starts at full power during a certain time, then reduces automatically its power on the pre-selected level.

- **Start-up :**

Action

Zone selection
Full power setting
Automatic cooking
Power level selection
(for example « 7 »)

Control panel

Press display [0] selected
Slide on the “SLIDER“ to [9]
Press on “SLIDER”
Slide on the “SLIDER“ to [7]

Display

[0] and control light on
Pass from [0] to [9]
[9] is blinking with [A]
[9] pass to [8] [7]
[7] is blinking with [A]

- **Switching off the automatic cooking :**

Action

Zone selection
Power level selection

Control panel

Press [7] from the zone
Slide on the “SLIDER“

Display

[7] blinking with [A]
[1] to [9]

Selected power	Automatic cooking time (Min:S)
1	00:48
2	02:24
3	03:36
4	05:24
5	06:48
6	02:00
7	02:48
8	03:36
9	- : -

Stop&Go function

This function brakes all the hob's cooking activity temporarily and allows restarting with the same settings.

- **Startup/stop the pause function :**

Action

Engage pause

Stop the pause

Control panel

press [II] key
during 2s
press [II] key
during 2s
press an other touch or
slide on the “SLIDER“

Display

displays [II] in the
heating zone displays
pause control light is
blinking
pause control light is off

Recall Function

After switching off the hob [①], it is possible to recall the last settings.

- cooking stages of all cooking zones (power)
- minutes and seconds of programmed cooking zone-related timers
- Keep warm function

The recall procedure is following:

- Press the key [①]
- Then simultaneously press the 2 zones back in less than 6 seconds.

The previous settings are again active.

Bridge Function

This function allows to use the 2 cooking zones at same time with the same features as a single cooking zone. Booster function isn't allowed.

<u>Action</u>	<u>Control panel</u>	<u>Display</u>
Activate the hob	Press display [①]	[0] or [H] on the 4 displays
Activate the bridge	Press on the 2 cooking zones	[0] appears on the front zone [□] on the rear zone.
Increase bridge	Slide on the "SLIDER " [1 to 9] or display [keep warm]	[1 to 9] or [U]
Stop the bridge	Press on the 2 cooking zones	[0] or [H] on the 2 zones

« Keep warm » Function

This function allows to reach and maintain automatically a temperature of 70°C. This will avoid liquids overflowing and fast burning at the bottom of the pan.

- **To engage, to start the function « Keep warm » :**

<u>Action</u>	<u>Control panel</u>	<u>Display</u>
Zone selection	press display [0] selected	[0] to [9] or [H]
To engage	press [Keep warm] on the "SLIDER"	[U]
To stop	press on display [U] selected slide on the "SLIDER"	[U] [0] to [9] or [H]

This function can be started independently on all the heating zones.

When the pan leaves the cooking zone of the "Keep warm" function remains active during approximately 10 minutes.

The maximum duration of keeping warm is 2 hours.

Control panel Locking

To avoid modification of the setting of the cooking zones , in particular during cleaning, the control panel can be locked (with exception to the On/Off key [0/I]).

- **Lock :**

<u>Action</u>	<u>Control panel</u>	<u>Display</u>
Start Hob locking	press key for 2 sec. [⏸] 1. press simultaneously [B] and [0] from the front right zone display 2. re-press on [0]	[0] or [H] on displays no modification [L] on displays

- **Unlock :**

<u>Action</u>	<u>Control panel</u>	<u>Display</u>
Start In the 5 seconds after start: Unlocking the hob	press key for 2 sec. [⏸] 1. press simultaneously [B] and [L] from the front right zone 2. press on key [B]	[L] on displays [0] or [H] on displays no light on the displays

COOKING ADVICES

Pan quality

Adapted materials : steel, enamelled steel, cast iron, ferromagnetic stainless-steel, aluminium with ferromagnetic bottom.

Not adapted materials : aluminium and stainless-steel without ferromagnetic bottom, copper, brass, glass, ceramic, porcelain.

The manufacturers specify if their products are compatible induction.

To check if pans are compatibles :

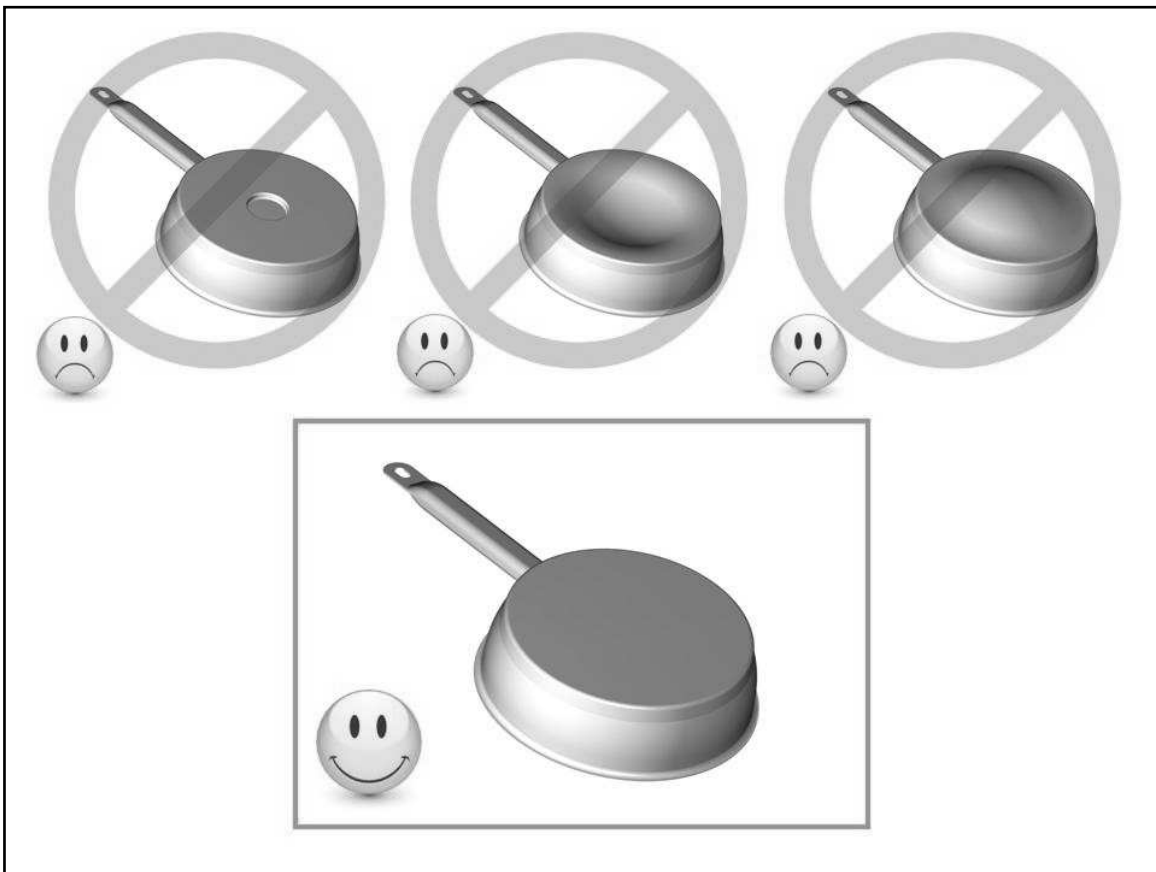
- Put a little water in a pan placed on an induction heating zone set at level [9].This water must heat in a few seconds.
- A magnet sticks on the bottom of the pan.

Certain pans can make noise when they are placed on an induction cooking zone. This noise doesn't mean any failure on the appliance and doesn't influence the cooking operating.

The composition of the pan base can affect the evenness of the cooking results and power reception by the inductors.

Only use pots and pans with smooth bases. Rough bases will scratch the ceramic glass.

Where possible, use pans with vertically straight side. If a pan has angular sides, induction also acts on the side of the pan. The sides of the pan may discolour.



Pan dimension

The cooking zones are, until a certain limit, automatically adapted to the diameter of the pan. However the bottom of this pan must have a minimum of diameter according to the corresponding cooking zone.

To obtain the best efficiency of your hob, please place the pan well in the centre of the cooking zone.

Examples of cooking power setting

(the values below are indicative)

1 to 2	Melting Reheating	Sauces, butter, chocolate, gelatine Dishes prepared beforehand
2 to 3	Simmering Defrosting	Rice, pudding, sugar syrup Dried vegetables, fish, frozen products
3 to 4	Steam	Vegetables, fish, meat
4 to 5	Water	Steamed potatoes, soups, pasta, fresh vegetables
6 to 7	Medium cooking Simmering	Meat, lever, eggs, sausages Goulash, roulade, tripe
7 to 8	Cooking	Potatoes, fritters, wafers
9	Frying, roasting Boiling water	Steaks, omelettes, fried dishes Water
P	Boiling water	scallops, steaks Boiling significant quantities of water

MAINTENANCE AND CLEANING


Switch-off the appliance before cleaning.

Do not clean the hob if the glass is too hot because they are **risk of burn**.

- Remove light marks with a damp cloth with washing up liquid diluted in a little water. Then rinse with cold water and dry the surface thoroughly.
- Highly corrosive or abrasive detergents and cleaning equipment likely to cause scratches must be absolutely avoided.
- Do not ever use any steam-cleaner or pressure washer.
- Do not use any object that may scratch the ceramic glass.
- Ensure that the pan is dry and clean. Ensure that there are no grains of dust on your ceramic hob or on the pan. Sliding rough saucepans will scratch the surface.
- Spillages of sugar, jam, jelly, etc. must be removed immediately. You will thus prevent the surface being damaged.

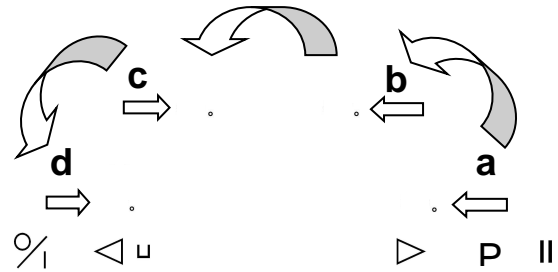
WHAT TO DO IN CASE OF A PROBLEM

When the symbol [E 4] appears :

- The table must be reconfigured. Please implement the following steps :
 - I) Important : before you start, make sure there is no more pot on the hob
 - II) Disconnect the appliance from the grid by removing the fuse or turning the circuit breaker off
 - III) Reconnect the table to the grid
 - IV) Procedure : take a pot with a ferromagnetic bottom and a minimum diameter of 16 cm
 - * start the procedure within 2 minutes after reconnecting the hob to the grid
 - * don't use the [] touch

V) First step : cancel the existing configuration

- 1) Press the touch [B] and hold down
- 2) The symbol [.] will appear on each display
- 3) With your other hand, press successively and quickly (less than 2s) on each [.] display. Begin from the front right side and turn contrary clockwise, as described on the picture (from a to d).



A double "beep" means an error occurred. If so, start again from item 1).

- 4) Remove your fingers from the touch control, then push again on touch [Ⓜ] during few seconds, until blinking [E] symbols appear.
- 5) Wait until [E] symbols stop blinking.
- 6) After few seconds, [E] are automatically transformed in [C]. The existing setup has been cancelled.

Note : For induction hobs with 3 cooking zones, as the right front zone doesn't exist in this case, begin the procedure with the right rear zone (b).

VI) Second step : new setup

- 1) Take a ferromagnetical pot with a minimum diameter of 16 cm
 - 2) Select a cooking zone by pushing on the corresponding [C] display
 - 3) Place the pot on the area to be set
 - 4) Wait until the [C] display becomes a [-]. The selected cooking zone is now configured.
 - 5) Follow the same procedure for each cooking zone with a [C] display.
 - 6) All the cooking zones are configured once all the displays are turned off.
- Please use the same pot for the whole procedure.
Never put several pots together on the zones during the setup-process.

- If [E 4] displaying remains, please call the customer care

The hob or the cooking zone doesn't start-up:

- The hob is badly connected on the electrical network.
- The protection fuse cut-off.
- The looking function is activated.
- The sensitive keys are covered of grease or water.
- An object is put on a key.

The control panel displays [U]:

- There is no pan on the cooking zone.
- The pan is not compatible with induction.
- The bottom diameter of the pan is too small.

The control panel displays [E]:

- Disconnect and replug the hob.
- Call the After-sales Service.

One or all cooking zone cut-off:

- The safety system functioned.
- You forgot to cut-off the cooking zone for a long time.
- One or more sensitive keys are covered.
- The pan is empty and its bottom overheated.
- The hob also has an automatic reduction of power level and breaking Automatic overheating

Continuous ventilation after cutting off the hob:

- This is not a failure, the fan continuous to protect the electronic device.
- The fan cooling stops automatically.

The automatic cooking system doesn't start-up:

- The cooking zone is still hot [H].
- The highest power level is set [9].

The control panel displays [L]:

- Refer to the chapter control panel locking page.

The control panel displays [U]:

- Refer to the chapter "Keep warm".

The control panel displays [II]:

- Refer to the chapter "Pause".

The control panel displays [] or [Er03]:

- An object or liquid covers the control keys. The symbol disappear as soon as the key is released or cleaned.

The control panel displays [E2] or [E H]:

- The hob is overheated, let it cool and then turn it on again.

The control panel displays [E3]:

- The pan is not adapted, change the pan.

The control panel displays [E6]:

- Defective network. Control the frequency and voltage of the electrical network.

The control panel displays [E8]:

- The air inlet of the ventilator is obstructed, release it.

The control panel displays [E C]:

- Configuration error. Set the table again, referring to the chapter "The [E 4] appears."

If one of the symbols above persists, call the SAV.

ENVIRONMENT PRESERVATION

- The materials of packing are ecological and recyclable.
- The electronic appliances are composed of recyclable, and sometimes harmful materials for the environment, but necessary to the good running and the safety of the appliance.



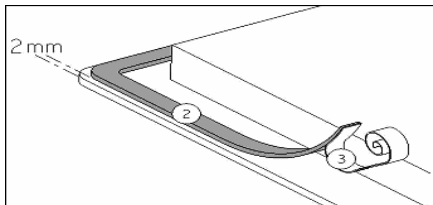
- Don't throw your appliance with the household refuses
- Get in touch with the waste collection centre of your commune that is adapted to the recycling of the household appliances.

INSTALLATION INSTRUCTIONS

The installation comes under the exclusive responsibility of specialists.
The installer is held to respect the legislation and the standards enforce in his home country.

How to stick the gasket:

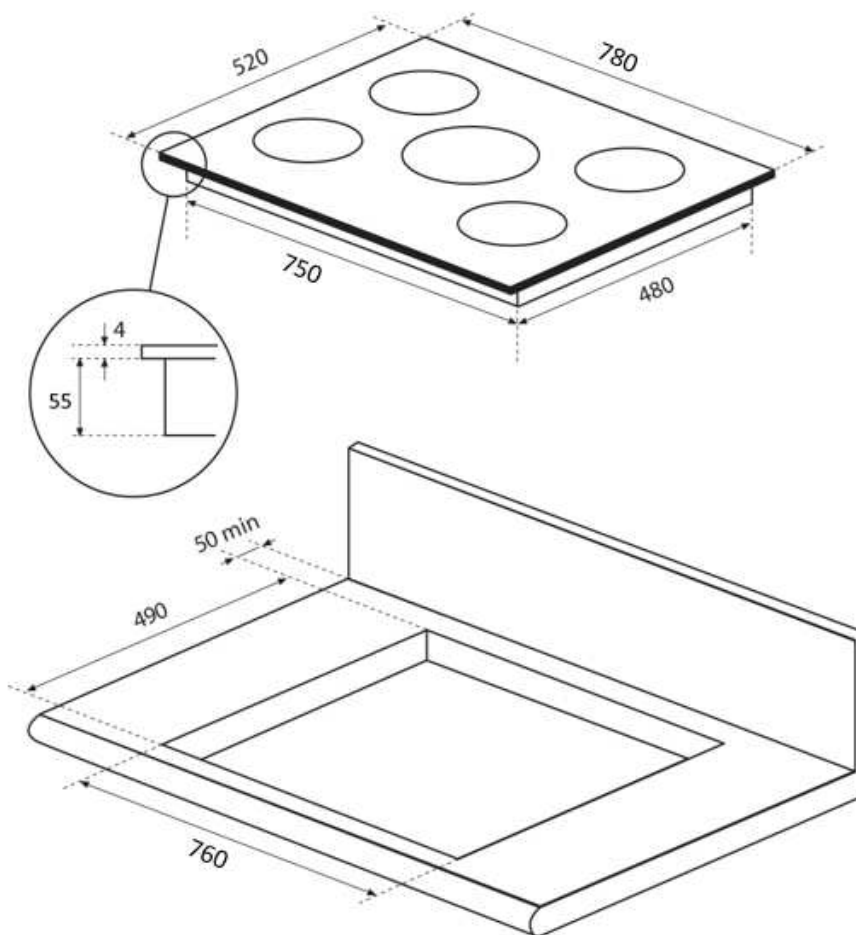
The gasket supplied with the hob avoids all infiltration of liquids in the cabinet.
His installation has to be done carefully, in conformity of the following drawing.



Stick the gasket (2) two millimeters from the external edge of the glass, after removing the protection sheet (3).

Fitting - installing:

The cut out sizes are:



Ref.	Cut size		Cut size flush mounting			Glass size		
	Width	Depth	Width	Depth	Radius	Width	Depth	Thickness
P784IC1B2NEE	750	490	786	526	8	780	520	4

- **Ensure that there is a distance of 50 mm between the hob and the wall or sides.**
- The hobs are classified as “Y” class for heat protection. Ideally the hob should be installed with plenty of space on either side. There may be a wall at the rear and tall units or a wall at one side. **On the other side, however, no unit or divider must stand higher than the hob.**
- The piece of furniture or the support in which the hob has to be fit, as well as the edges of furniture, the laminate coatings and the glue used to fix them, must be able to resist temperatures of up to 100 °C.
- The mural rods of edge must be heat-resisting.
- Not to install the hob to the top of a not ventilated oven or a dishwasher.
- Guarantee **a space of 20 mm** under the bottom of the hob casing to ensure a good air circulation of the electronic device.
- If a drawer is placed under the hob, avoid to put into this drawer flammable objects (for example: sprays) or not heat-resistant objects.
- Materials often used to make worktops expand on contact with water. To protect the cut out edge, apply a coat of varnish or special sealant. Particular care must be given to applying the adhesive joint supplied with the hob to prevent any leakage into the supporting furniture. This gasket guarantees a correct seal when used in conjunction with smooth work top surfaces.
- The distance between the hob and the cooker hood placed above must respect the indications of the hood manufacturer. In case of absence of instructions respect a minimum distance of 760 mm.
- The connection cord should be subjected, after building, with no mechanical constraint, such for example of the fact of the drawer.
- **WARNING:** Use only hob guards designed by the manufacturer of the cooking appliance or indicated by the manufacturer of the appliance in the instructions for use as suitable or hob guards incorporated in the appliance. The use of inappropriate guards can cause accidents.

ELECTRICAL CONNECTION

- The installation of this appliance and the connection to the electrical network should be entrusted only to an electrician perfectly to the fact of the normative regulations and which respects them scrupulously.
- Protection against the parts under tension must be ensured after the building-in.
- The data of connection necessary are on the stickers place on the hob casing near the connection box.
- The connection to the main must be made using an earthed plug or via an omnipolar circuit breaking device with a contact opening of at least 3 mm.
- The electrical circuit must be separated from the network by adapted devices, for example: circuit breakers, fuses or contactors.
- If the appliance is not fitted with an accessible plug, disconnecting means must be incorporated in the fixed installation, in accordance with the installation regulations.
- The inlet hose must be positioned so that it does not touch any of the hot parts of the hob or even.

Caution!

This appliance has only to be connected to a network 230 V~ 50/60 Hz.

Connect always the earth wire.

Respect the connection diagram.

The connection box is located underneath at the back of the hob casing. To open the cover use a medium screwdriver. Place it in the slits and open the cover.

CONNECTION OF THE HOB FOR :

Mains	Connection	Supply cord	Supply cord	Circuit braker
230V~ 50/60Hz	1 Phase + N	3 x 2,5 mm ²	H 05 VV - F H 05 RR - F	25 A *
400V~ 50/60Hz	2 Phases + N	4 x 1.5 mm ²	H 05 VV - F H 05 RR - F	16 A *

* calculated with the simultaneous factor following the standard EN 60 335-2-6

Connection of the hob

Setting up the configurations:

For the various kinds of connection, use the brass bridges which are in the box next the terminal

Monophase 230V~1P+N

Put a bridge between terminal 1 and 2.

Attach the earth to the terminate “earth”, the neutral N to terminal 4, the Phase L to one of the terminals 1 or 2.

Biphase 400V~2P+N

Attach the earth to the terminate “earth”, the neutral N to terminal 4, the Phase L1 to the terminals 1 and the Phase L2 to the terminal 2.

Caution! Be careful that the cables are correctly engaged and tightened.

We cannot be held responsible for any incident resulting from incorrect connection or which could arise from the use of an appliance which has not been earthed or has been equipped with a faulty earth connection.

INDICE

SICUREZZA	23
PRECAUZIONI PER L'USO DEL DISPOSITIVO	23
USO DELL'APPARECCHIO	23
PRECAUZIONI CONTRO I DANNI.....	24
PRECAUZIONI IN CASO DI MALFUNZIONAMENTO DELL'APPARECCHIO	25
ALTRE MISURE PRECAUZIONALI.....	26
DESCRIZIONE APPARECCHIATURA	27
CARATTERISTICHE TECNICHE	27
PANNELLO COMANDI	28
USO DELL'APPARECCHIO.....	28
COMANDI A SFIORAMENTO.....	28
DISPLAY	28
MESSA IN SERVIZIO DELL'APPARECCHIO	29
PRIMA DEL PRIMO UTILIZZO.....	29
FUNZIONAMENTO DELL'INDUZIONE	29
ZONA "CURSORE" DI REGOLAZIONE DELLA POTENZA E IMPOSTAZIONE DEL TIMER	29
AZIONAMENTO	30
RICONOSCIMENTO PENTOLA	30
INDICAZIONE DEL CALORE RESIDUO	30
FUNZIONE BOOSTER E DOPPIO BOOSTER	31
FUNZIONE TIMER	31
PROGRAMMAZIONE DELL'AVVIAMENTO RAPIDO	33
FUNZIONE STOP & GO	33
FUNZIONE DI RIPETIZIONE.....	34
FUNZIONE PONTE	34
FUNZIONE SCALDAVIVANDE	34
BLOCCO DEL PANNELLO COMANDI	35
CONSIGLI DI COTTURA.....	35
QUALITÀ DELLE PENTOLE DI COTTURA	36
MISURE DELLE PENTOLE	36
ESEMPI DI REGOLAZIONE DELLA POTENZA.....	37
MANUTENZIONE E PULIZIA.....	37
RISOLUZIONE DEI PICCOLI PROBLEMI	37
PROTEZIONE DELL'AMBIENTE.....	39
PRESCRIZIONI PER L'INSTALLAZIONE.....	40
COLLEGAMENTO ELETTRICO	42

Precauzioni per l'uso del dispositivo

- Rimuovere tutti gli imballaggi.
- Le operazioni di installazione e di collegamento elettrico dell'apparecchio devono essere affidate ad un professionista riconosciuto di fiducia. Il produttore declina ogni responsabilità per eventuali danni derivanti da errori di installazione o di collegamento.
- L'apparecchio può essere utilizzato solo quando è montato e installato in un mobile con un piano di lavoro approvato e idoneo.
- Esso è destinato all'uso domestico (preparazione dei cibi) con esclusione di tutti gli altri usi domestici, commerciali o industriali.
- Rimuovere tutte le etichette e gli adesivi dalla superficie in vetroceramica.
- Non apportare modifiche o cambiamenti sull'apparecchio.
- Il piano cottura non può essere utilizzato come superficie di lavoro.
- La sicurezza è assicurata soltanto quando l'apparecchio è collegato ad una presa di terra come previsto dalle normative.
- Non utilizzare alcun cavo di prolunga per il collegamento alla rete elettrica.
- L'apparecchio non deve essere utilizzato sopra una lavastoviglie o un dispositivo di asciugatura: il vapore rilasciato può danneggiare le apparecchiature elettroniche.
- Questo apparecchio non è destinato all'uso con un timer esterno o un telecomando.

Uso dell'apparecchio

- Spegnerne la fonte di calore dopo l'uso.
- Sorvegliare sempre i preparati che contengono oli e grassi, perché questi possono prendere fuoco improvvisamente.
- Prestare attenzione al rischio di ustioni durante e dopo l'uso del dispositivo.

- Non permettere ai bambini di maneggiare l'apparecchio.
- Assicurarsi che nessun cavo elettrico di un dispositivo fisso o mobile entri in contatto con la superficie di cottura calda o con una pentola calda.
- Gli oggetti sensibili ai campi magnetici (carte di credito, dischetti di computer, calcolatori) non devono trovarsi nelle immediate vicinanze del dispositivo quando questo è in funzione.
- Utilizzare solo le pentole specificamente idonee. In caso di accensione improvvisa o di calore rimanente altri materiali possono fondere o prendere fuoco.
- Non coprire mai l'apparecchio con un panno o un foglio protettivo. Questo potrebbe riscaldarsi e prendere fuoco.
- I bambini di età inferiore a 8 anni, le persone con ridotte capacità psicologiche e/o mentali e le persone con conoscenze inadeguate possono usare questa unità solo sotto supervisione o se hanno ricevuto una formazione per l'utilizzo dell'apparecchio in condizioni di sicurezza.
- Essi devono essere consapevoli dei possibili rischi che possono verificarsi. I bambini non devono giocare con questo apparecchio.
- Senza la supervisione di un adulto la pulizia e la manutenzione di questa unità non possono essere affidate ai bambini.
- Oggetti metallici come coltelli, forchette, cucchiari e coperchi non vanno posizionati sul vetro della superficie di cottura poiché potrebbero diventare molto caldi.

Precauzioni contro i danni

- Le pentole danneggiate o con fondo ruvido (ghisa non smaltata) possono danneggiare il vetro.
- La presenza di sabbia o altri abrasivi può danneggiare il vetro.
- Non lasciare cadere nessun oggetto (anche piccolo) sul vetro.
- Evitare qualsiasi urto delle pentole da cucina contro il bordo del vetro.
- Assicurarsi che la ventilazione dell'apparecchio abbia luogo secondo le istruzioni del costruttore.
- Non posizionare o lasciare mai pentole vuote sul piano cottura.
- Evitare ogni contatto di zucchero, materiali sintetici o fogli di alluminio con le zone calde. Queste sostanze possono causare

crepe o intaccare la superficie in vetroceramica durante il raffreddamento: se necessario spegnere l'apparecchio e rimuoverle immediatamente delle zone ancora calde (attenzione: rischio di ustioni).

- **Pericolo d'incendio!** Non poggiare nessun oggetto sul piano cottura.
- Non posizionare mai una pentola calda sulla zona dei comandi.
- Se sotto l'apparecchio a incasso è presente un cassetto, assicurarsi che tra il contenuto del cassetto e la parte inferiore dell'apparecchio sia presente una distanza sufficiente (2 cm) per garantire una buona ventilazione.
- Non posizionare nessun oggetto infiammabile (ad es. spray) nel cassetto sotto il piano cottura. Gli eventuali portaposate devono essere realizzati in materiale resistente al calore.

Precauzioni in caso di malfunzionamento dell'apparecchio

- Se si riscontra un difetto, spegnere il dispositivo e scollegare l'alimentazione elettrica.
- Scollegare immediatamente l'alimentazione elettrica dell'apparecchio se è presente una crepa o una fessura nel vetroceramica, e avvertire il servizio di assistenza clienti.
- Le riparazioni possono essere effettuate solo da personale specializzato. Non aprire l'apparecchio da soli in nessun caso.
- **AVVERTENZA:** Se la superficie di cottura di vetro è rotta, spegnere il dispositivo per evitare il rischio di scosse elettriche.

Altre misure precauzionali

- Assicurarsi che la pentola sia sempre al centro della zona cottura. La parte inferiore della pentola deve coprire quanto più possibile la zona di cottura.
- Un campo magnetico può influenzare gli apparecchi elettronici. È opportuno che i portatori di pacemaker consultino preventivamente un medico.
- Non usare pentole e padelle di materiale sintetico o alluminio: questi possono fondersi sulle zone ancora calde.
- Non spegnere mai il fuoco con acqua. Spegnere la zona di cottura. Soffocare cautamente le fiamme con un coperchio apposito o di una pentola o qualcosa di simile.



L'USO DI PENTOLE E PADELLE NON IDONEE E IL RISCALDAMENTO DI ACCESSORI RIMOVIBILI DELLE PENTOLE NON ADATTI PER L'INDUZIONE NON SONO COPERTI DALLE CONDIZIONI DI GARANZIA. IL PRODUTTORE DECLINA OGNI RESPONSABILITÀ PER DANNI DEL PIANO COTTURA E DEL SUO AMBIENTE EVENTUALMENTE DERIVATI DAGLI STESSI.



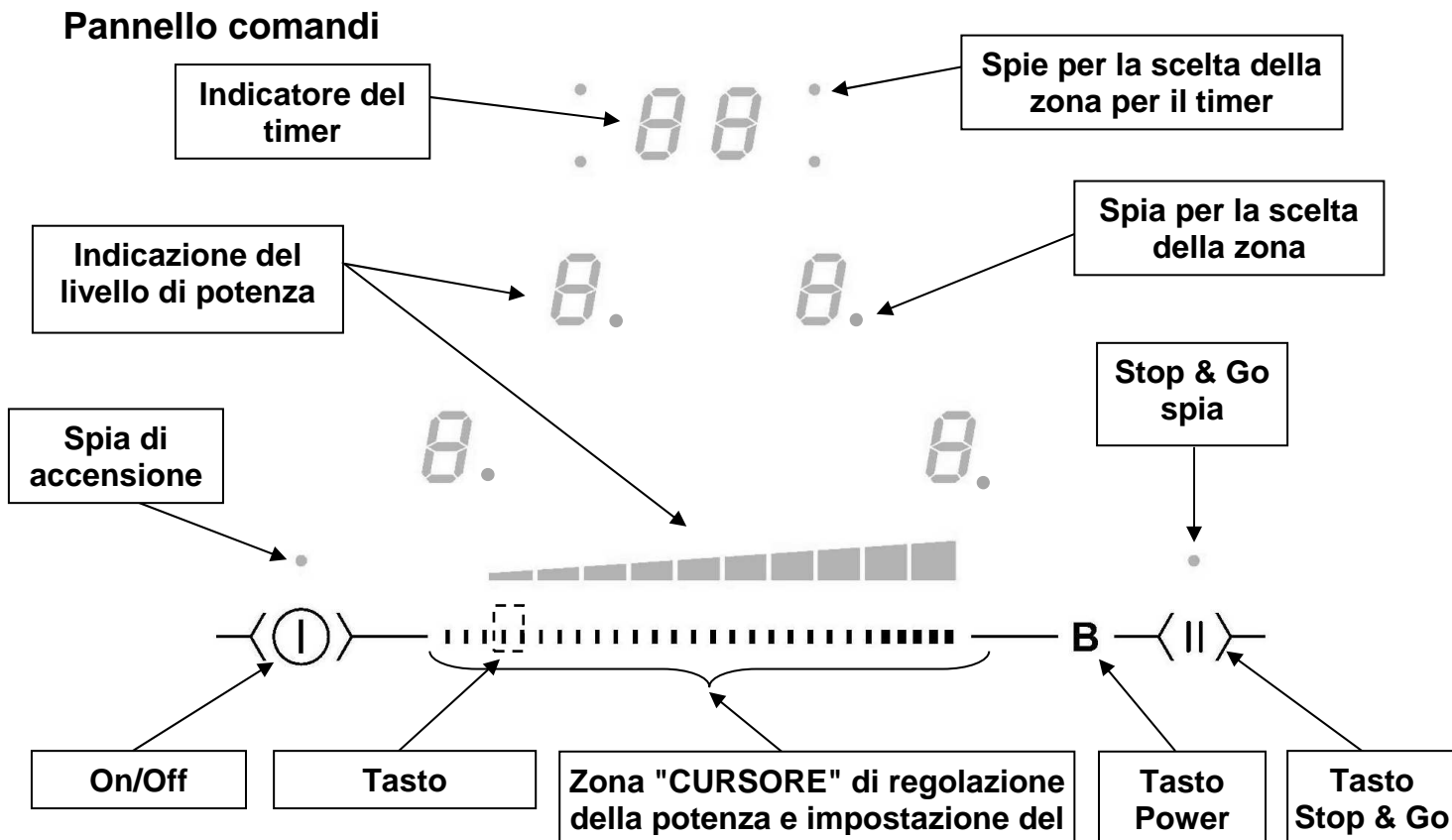
DESCRIZIONE APPARECCHIATURA

Caratteristiche tecniche

Modello	P784IC1B2NEE
Potenza totale	7400 W
Consumo di energia del piano cottura EChob**	168.3 Wh/kg
Zona anteriore sinistra	210 x 200 mm
Riconoscimento pentola	Ø 90 mm
Normale*	2100 W
Con Booster *	2500 W
Con Doppio Booster*	3000 W
Categoria standardizzata pentole e tegami**	B
Consumo energetico EC _{cw} **	161.3 Wh/kg
Zona posteriore sinistra	210 x 200 mm
Riconoscimento pentola	Ø 90 mm
Normale*	1600 W
Con Booster *	1850 W
Con Doppio Booster*	-
Categoria standardizzata pentole e tegami**	B
Consumo energetico EC _{cw} **	161.3 Wh/kg
Zona posteriore destra	Ø 215 mm
Riconoscimento pentola	Ø 100 mm
Normale*	2300 W
Con Booster *	3000 W
Con Doppio Booster*	-
Categoria standardizzata pentole e tegami**	C
Consumo energetico EC _{cw} **	168.4 Wh/kg
Zona anteriore destra	Ø 175 mm
Riconoscimento pentola	Ø 90 mm
Normale*	1100 W
Con Booster *	1400 W
Con Doppio Booster*	-
Categoria standardizzata pentole e tegami**	A
Consumo energetico EC _{cw} **	181.9 Wh/kg

* la potenza può variare in funzione delle dimensioni e del materiale delle pentole di cottura

** calcolato secondo i metodi per la misura delle prestazioni funzionali (EN 60350-2)



USO DELL'APPARECCHIO

Comandi a sfioramento

L'apparecchio è dotato di comandi a sfioramento per la regolazione delle varie funzioni. La funzione si attiva toccando il relativo tasto. L'attivazione viene segnalata da una spia, un'indicazione e/o un segnale acustico.

Non premere contemporaneamente più comandi nell'uso normale.

Display

Display	Indicazione	Descrizione
0.	Zero	Zona cottura attivata
1...9	Livello di potenza	Scelta del livello di cottura
U	Rilevazione pentola	Nessuna pentola idonea
A	Riscaldamento immediato	Avviamento rapido
E	Segnalazione errore	Avaria circuito elettronico
H	Calore residuo	La zona di cottura è calda
P	Power	È attiva la modalità turbo
U	Scaldavivande	Mantenimento automatico a 70°
II	Stop&Go	Lo Stop & Go è attivo
L	Blocco	Il pannello comandi è bloccato

Ventilazione

La ventola funziona in modo completamente automatico. Essa si attiva lentamente quando la quantità di calore rilasciata dall'elettronica supera una determinata soglia. La ventilazione passa alla velocità superiore quando la superficie di cottura è utilizzata intensamente. La velocità del ventilatore diminuisce automaticamente fino all'arresto completo quando il circuito elettronico si è sufficientemente raffreddato.

MESSA IN SERVIZIO DELL'APPARECCHIO

Prima del primo utilizzo

Strofinare l'apparecchio con un panno umido e asciugarlo. Non utilizzare detersivi: i detersivi possono causare un appannamento bluastrò del vetro.

Funzionamento dell'induzione

In ciascuna zona di cottura si trova una bobina di induzione. Quando è in funzione, la bobina produce un campo elettromagnetico variabile che, a sua volta, produce una corrente indotta nel fondo della pentola. Ciò riscalda la pentola sulla zona di cottura.

Naturalmente sono necessarie pentole adeguate:

- Sono raccomandate tutte le pentole in metallo con base magnetica (eventualmente verificare con un magnete) come ad esempio: marmitte in ghisa, padelle di ferro nere, tegami in metallo smaltato, pentole in acciaio inox con fondo magnetico...
- Sono escluse tutte le pentole in rame, acciaio inox, alluminio, vetro, legno, ceramica, terracotta, in acciaio inox senza fondo magnetico...

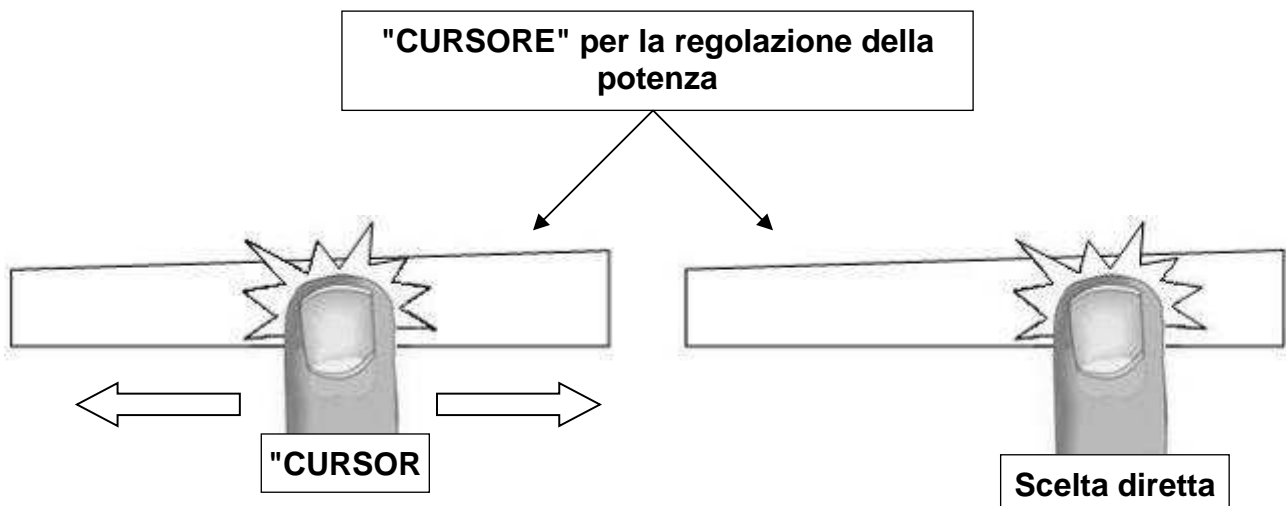
La zona di cottura a induzione prende immediatamente in considerazione la dimensione della pentola usata. Se il diametro è troppo piccolo, la pentola non funziona. Il diametro varia in funzione del diametro della zona cottura.

Quando la pentola non è adeguata al piano cottura il simbolo [U] si illumina.

Zona "CURSORE" di regolazione della potenza e impostazione del timer



Per la selezione della potenza è sufficiente far scorrere il dito sopra il cursore.

È anche possibile attivare direttamente un determinato livello di potenza posizionando direttamente il dito sul livello voluto.



Azionamento

- **Accendere e spegnere il piano cottura:**

<u>Azione</u>	<u>Pannello comandi</u>	<u>Display</u>
Attivazione	Premere []	[0] lampeggiante
Spegnere	Premere []	niente o [H]

- **Accendere e spegnere una zona di cottura:**

<u>Azione</u>	<u>Pannello comandi</u>	<u>Display</u>
Scegliere	Premere [0] della zona	[0] e spia della zona accesa
Regolazione (Regolazione della potenza)	scorrere sul "CURSORE" verso destra o verso sinistra	da [0] a [9]

Spegnere	Scorrere sul "CURSORE" fino a [0] o premere [0]	[0] o [H] [0] o [H]
----------	--	--------------------------------

Se per 20 secondi non viene eseguita nessuna regolazione, l'elettronica torna alla posizione di attesa.

Riconoscimento pentola

La rilevazione della pentola garantisce la sicurezza ottimale. Il piano cottura a induzione non funziona:

- se sulla zona non è presente una pentola o se la pentola non è adatta per l'induzione. In questo caso è impossibile aumentare la potenza e sul display compare il simbolo [U]. Quando si posiziona una pentola sulla zona di cottura il simbolo [U] scompare.
- Il funzionamento s'interrompe se durante la cottura si toglie la pentola dalla zona di cottura. Sul display si illumina il simbolo [U]. Il simbolo [U] scompare quando la pentola viene riposizionata sulla superficie di cottura. La cottura procede con la potenza selezionata in precedenza.

Spegnere la zona di cottura dopo l'uso. Ora la rilevazione della pentola [U] è disattivata.

Indicazione del calore residuo

Se dopo lo spegnimento delle zone di cottura o dell'intero piano cottura le zone di cottura sono ancora calde, ciò è segnalato dall'indicazione [H].

Il simbolo [H] scompare quando le zone di cottura possono essere toccate senza pericolo. Fintanto che la spia del calore residuo resta accesa, non toccare le zone cottura e non posare alcun oggetto sensibile al calore sulle zone di cottura. **Rischio di incendio o di ustioni!**

Funzione booster e doppio booster

La funzione Power [B] offre alle zone cottura una potenza intensificata. Se questa funzione è attivata, le zone di cottura funzionano con una potenza notevolmente superiore per 5 minuti.

La funzione Power è concepita, ad esempio, per scaldare rapidamente grandi quantità di acqua, come per portare a ebollizione l'acqua della pasta.

- **Attivazione e disattivazione di booster:**

<u>Azione</u>	<u>Pannello comandi</u>	<u>Display</u>
Scegliere la zona	Premere [0] della zona	[0] e spia della zona accesa
Attivare booster	Premere [B]	[P]
Disattivare booster	scorrere sul "CURSORE" o premere [B]	da [P] a [0] [9]

- **Attivazione e disattivazione di doppio booster:**

<u>Azione</u>	<u>Pannello comandi</u>	<u>Display</u>
Scegliere la zona	Premere [0] della zona	[0] e spia della zona accesa
Attivare booster	Premere [B]	[P]
Attivare boppio booster	Premere nuovamente [B]	[P] e P]
Spegnimento di doppio booster	Premere [B]	[P]
Disattivare booster	scorrere sul "CURSORE"	da [9] a [0]

- **Gestione della potenza massima:**

L'insieme del piano cottura è dotato di una funzione di limitazione della potenza massima. Se la funzione Power è attivata – e la potenza massima prevista non deve essere superata – il controllo elettronico riduce automaticamente il livello di potenza di un'altra zona di cottura.

Il display di questa zona di cottura mostrerà per alcuni secondi un [9] lampeggiante e poi sarà visualizzato il livello di potenza massima possibile:

<u>Zona di cottura scelta</u>	<u>Altra zona di cottura (ad esempio: livello cottura 9)</u>
Viene visualizzato [P]	[9] diventa [6] o [8], a seconda della zona di cottura

Funzione timer

La funzione timer può essere utilizzata per tutte le zone cottura con impostazioni di tempo differenziate (da 0 a 99 minuti) per ciascuna zona.

- **Regolazione o modifica del tempo di cottura:**

Esempio 16 minuti in posizione 7:

<u>Azione</u>	<u>Pannello comandi</u>	<u>Display</u>
Scegliere la zona	Premere [0] della zona	[0] spia della zona accesa
Selezione della potenza	scorrere sul "CURSORE" fino a [7]	[7]
Selezionare "Timer"	Premere [CL]	[00]
Scegliere le unità	Scorrere sul "CURSORE" fino a [6]	[0 fisso] e [6 lampeggiante]
Confermare le unità	Premere [06]	[0 lampeggiante] e [6 fisso]
Scegliere le decine	Scorrere sul "CURSORE" fino a [1]	[1 lampeggiante] e [6 fisso]
Confermare le decine	Premere [16]	[16]

Il tempo è impostato e comincia a scorrere.

- **Disattivazione della funzione timer:**

Esempio ancora 13 minuti alla posizione 7:

<u>Azione</u>	<u>Pannello comandi</u>	<u>Display</u>
Scegliere la zona	Premere [7] nella zona	spia [7] della zona accesa
Selezionare "Timer"	Premere [13]	[13]
Disattivare le unità	Scorrere sul "CURSORE" fino a [0]	[1 fisso] e [0 lampeggiante]
Confermare le unità	Premere [10]	[1 lampeggiante] e [0 fisso]
Disattivare le decine	Scorrere sul "CURSORE" fino a [0]	[00]
Confermare le decine	Premere [00]	[00]

- **Spegnimento automatico al termine del tempo di cottura:**

Allo scadere del tempo impostato, il timer lampeggia con l'indicazione [00] ed emette un segnale acustico.

Premere il tasto [00] per interrompere il suono e arrestare il lampeggio.

- **Uso del timer senza cottura:**

Esempio 29 minuti:

<u>Azione</u>	<u>Pannello comandi</u>	<u>Display</u>
Attivare il piano cottura	Premere [Ⓜ]	Spie zona illuminate
Selezionare "Timer"	Premere [CL]	[00]
Scegliere le unità	Scorrere sul "CURSORE" fino a [9]	[0 fisso] e [9 lampeggiante]
Confermare le unità	Premere [09]	[0 lampeggiante] e [9 fisso]
Scegliere le decine	Scorrere sul "CURSORE" fino a [2]	[2 lampeggiante] e [9 fisso]
Confermare le decine	Premere [29]	[29]

Il tempo è impostato e comincia a scorrere.

Allo scadere del tempo impostato, il timer lampeggia con l'indicazione [00] ed emette un segnale acustico.

Premere il tasto [00] per interrompere il suono e arrestare il lampeggio. Il piano cottura si spegne.

Programmazione dell'avviamento rapido

Tutte le zone di cottura sono dotate di un avviamento rapido. La zona di cottura funziona prima per un certo tempo a piena potenza e quindi si abbassa automaticamente alla potenza selezionata.

- **Programmazione dell'avviamento rapido:**

<u>Azione</u>	<u>Pannello comandi</u>	<u>Display</u>
Scegliere la zona	Premere [0] nella zona	spia [0] della zona accesa
Selezionare la potenza	Scorrere sul "CURSORE" fino a [9]	Da [0] a [9]
Scegliere Avviamento rapido	Premere ancora [9] sul "CURSORE"	[9] [A] lampeggiante
Scegliere la potenza (ad es. "7")	Scorrere sul "CURSORE" fino a [7]	da [9] a [8] [7] [7] lampeggiante con [A]

- **Sospensione dell'avviamento rapido:**

<u>Azione</u>	<u>Pannello comandi</u>	<u>Display</u>
Scegliere la zona	Premere [7] nella zona	[7] lampeggiante con [A]
Selezione della potenza	Scorrere sul "CURSORE"	da [1] a [9]

Livello di cottura di proseguimento impostat	Cottura con avvio rapido Tempo (min:sec)
1	00:48
2	02:24
3	03:36
4	05:24
5	06:48
6	02:00
7	02:48
8	03:36
9	- : -

Funzione Stop & Go

Questa funzione interrompe temporaneamente l'attività del piano cottura e ne consente il riavvio con impostazioni invariate.

- **Attivazione e disattivazione di Stop & Go:**

<u>Azione</u>	<u>Pannello comandi</u>	<u>Display</u>
Attivare Stop & Go	Premere [II] nella zona per 2 sec.	[II] fisso
Disattivare Stop & Go	Premere [II] della zona per 2 sec. Premere sulla spia lampeggiante	[II] lampeggiante Impostazione precedente

Funzione di ripetizione

Dopo aver spento il piano cottura [①] è possibile ripetere le ultime impostazioni selezionate:

- Stato di tutte le zone di cottura (potenza)
- Minuti e secondi delle zone di cottura programmate con i timer
- Funzione di avviamento rapido
- Funzione scaldavivande

La procedura per la ripetizione è la seguente:

- Premere il tasto [①]
- Selezionare allo stesso tempo ed entro 6 secondi le due zone posteriori.

Le impostazioni precedenti sono di nuovo attive

Funzione ponte

Questa funzione consente l'utilizzo delle due piastre contemporaneamente con le stesse funzionalità di una singola piastra. La funzione booster non è consentita.

<u>Azione</u>	<u>Pannello di controllo</u>	<u>Display</u>
Attivare l'apparecchio Attivazione del ponte	premere display [①] Toccare il tasto delle due piastre	[0] o [H] [0] sulla piastra anteriore [□] sulla piastra posteriore
Aumentare la Potenza del ponte	Scorrere sullo "SLIDER" [da 1 a 9] oppure toccare il tasto [scaldavivande]	[1 a 9] oppure [U]
Disattivare il ponte	Toccare il tasto delle due piastre	[0] oppure [H] sulle due zone

Funzione scaldavivande

Questa funzione consente di raggiungere e mantenere automaticamente una temperatura di 70 °C.

Ciò può evitare che i liquidi trabocchino e che gli alimenti aderiscano al fondo della pentola.

- Attivazione e arresto della funzione Scaldavivande:


<u>Azione</u>	<u>Pannello comandi</u>	<u>Display</u>
Selezionare la zona	Premere [0] nella zona	da [0] a [9] o [H]
Selezionare 70°C	Premere [Scaldavivande]	[U]
Per arrestare	scorrere sul "CURSORE"	da [0] a [9] o [H]

Questa funzione può essere utilizzata indipendentemente da tutte le zone di cottura.

Quando la pentola è rimossa dalla zona di cottura, la funzione "Scaldavivande" rimane attiva per circa 10 minuti.

La durata massima di attivazione dello scaldavivande è 2 ore.

Blocco del pannello comandi


Per evitare che un'impostazione del piano cottura possa essere involontariamente modificata, ad esempio strofinando il vetro, il pannello comandi può essere bloccato (con l'eccezione del tasto di accensione e spegnimento []).

- **Bloccaggio:**

Azione

Accendere il piano cottura
Bloccare

Pannello comandi

Premere []
Premere [B] e [0] della zona
anteriore destra
Premere ancora [0]

Display

[0] o [H]
Nessun cambiamento
[L]

- **Bloccaggio:**


Azione

Accendere il piano cottura

Entro 5 secondi dall'inizio:

Sbloccare il piano cucina

Pannello comandi

Premere []
Premere [B] e [L] della zona
anteriore destra
Premere [B]

Display

[L]
[0]
Spie della zona spente

CONSIGLI DI COTTURA

Qualità delle pentole di cottura

Pentole idonee: acciaio, acciaio smaltato, ghisa, acciaio inox, in alluminio con fondo magnetico con fondo magnetico.

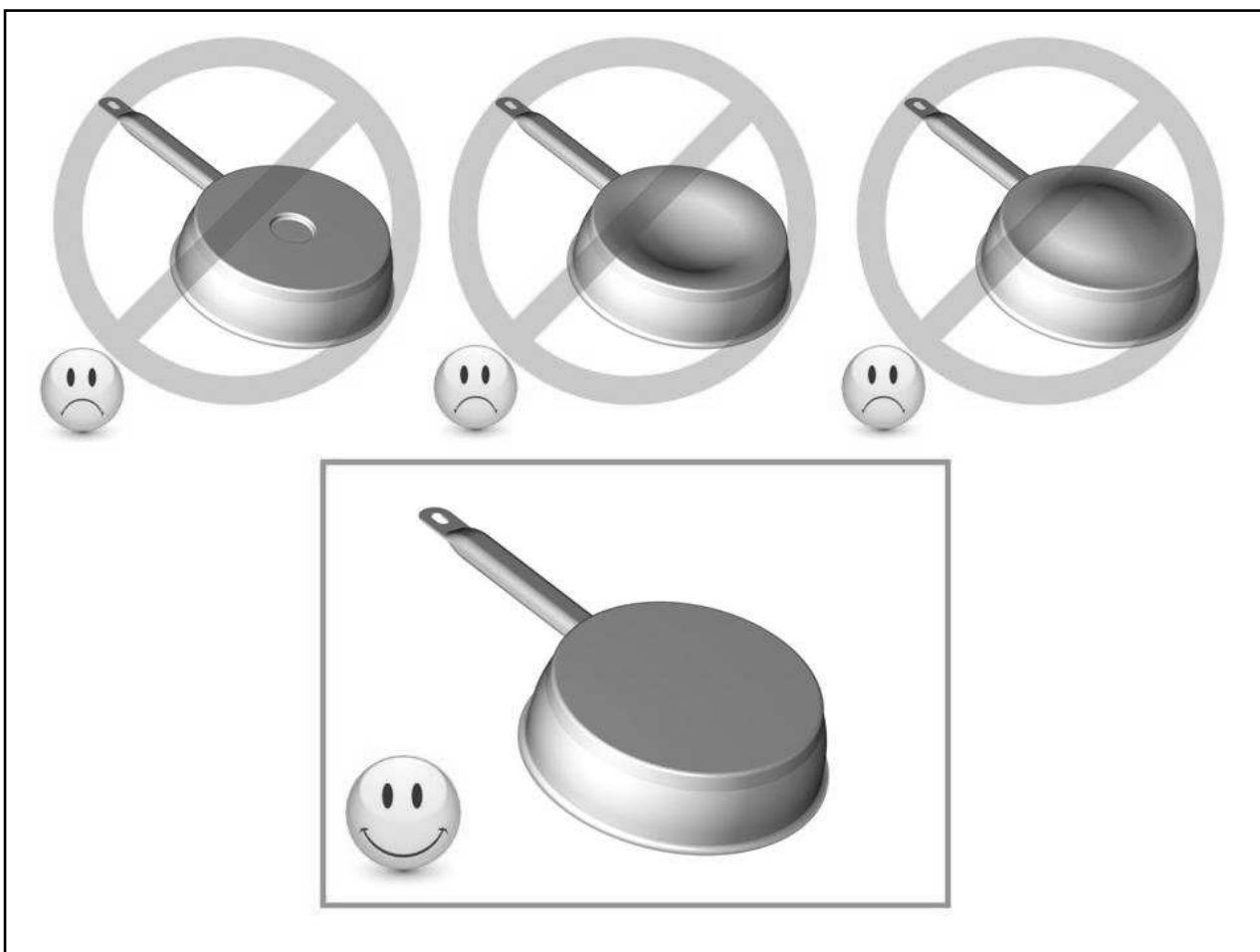
Pentole non idonee: alluminio e acciaio inox senza fondo magnetico, rame, ottone, ceramica, porcellana.

I produttori indicano se i loro prodotti sono adatti per l'induzione.

Per verificare se le pentole sono adatte:

- Versare una piccola quantità d'acqua in una pentola e mettere la pentola su una zona di cottura a induzione impostata a [9]. L'acqua dovrebbe riscaldarsi entro pochi secondi.
- Posare un magnete sul fondo della pentola. Il magnete deve aderire.

Alcune pentole producono un ronzio quando sono su una zona di cottura a induzione. Questo non vuol dire che il dispositivo sia difettoso e non influenza in alcun modo il funzionamento.



Misure delle pentole

Entro certi limiti, le zone di cottura si adattano automaticamente al diametro del recipiente di cottura. Tuttavia il diametro del fondo della pentola non deve essere minore di un certo minimo in funzione del diametro della zona di cottura.

Posizionare la pentola ben centrata sulla zona di cottura per ottenere un rendimento ottimale del vostro piano cottura.

Esempi di regolazione della potenza

(i valori seguenti sono indicativi)

1 - 2	Sciogliere, stemperare Riscaldare	Salse, burro, cioccolato, gelatina Piatti pronti
2 - 3	Ammollo Scongelo	Riso, budino e alimenti preparati Verdure, pesce, prodotti surgelati
3 - 4	Vapore	Verdure, pesce, carne
4 - 5	Acqua	Patate bollite, zuppa, pasta Verdura fresca
6 - 7	Cuocere delicatamente	Carne, fegato, uova, salsicce Gulasch, involtini, trippa
7 - 8	Bollire Arrostire	Patate, bigné, pancakes
9	Arrostire Portare a temperatura	Bistecche, frittate acqua
P	Arrostire Portare a temperatura	Portare ad ebollizione grandi quantità di acqua


MANUTENZIONE E PULIZIA

Lasciare raffreddare l'apparecchio per evitare il rischio di ustioni.

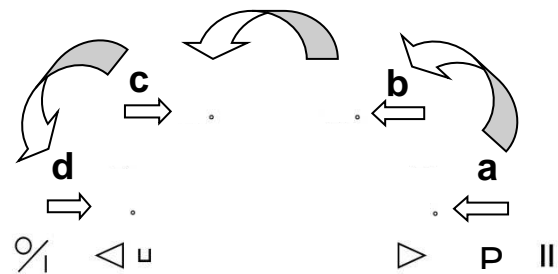
- Rimuovere i residui di cottura con un po' d'acqua con sapone liquido per i piatti o un prodotto commerciale consigliato per la vetroceramica.
- Non utilizzare apparecchi funzionanti con "vapore" o "pressione".
- Non utilizzare oggetti che possono danneggiare il vetro della vetroceramica (come spugne abrasive o punte di coltelli, ecc.)
- Non utilizzare prodotti abrasivi, questi prodotti possono danneggiare l'apparecchio.
- Asciugare l'apparecchio con un panno pulito.
- Rimuovere immediatamente i piatti contenenti zucchero o spezie contenenti zuccheri.

RISOLUZIONE DEI PICCOLI PROBLEMI

Simbolo [E 4] attivato:

- La piastra deve essere configurata con la seguente procedura:
 - I) Attenzione: non posizionare subito i recipienti sulla piastra ad induzione.
 - II) Scollegare il piano cucina dall'alimentazione, disinserire l'interruttore automatico o staccare l'interruttore generale.
 - III) Collegare nuovamente la piastra alla rete elettrica: reinserire l'interruttore automatico o l'interruttore principale.
 - IV) Procedura:
 - * Prendere una pentola con fondo ferromagnetico con un diametro minimo di 16 cm.
 - * Accendere il piano cottura entro 2 minuti dal collegamento alla rete elettrica.
 - * Non premere il tasto []
 - V) In primo luogo deve essere annullata la configurazione esistente
 - 1) Premere il tasto [B] e tenerlo premuto.
 - 2) Il simbolo [.] viene visualizzato su tutti i display

3) Ora ciascuna zona deve essere indicata in successione con il movimento (a -> b -> c -> d). Eseguire tutto questo movimento entro 2 secondi premendo con il dito dell'altra mano su [.].



Un doppio bip indica che si è verificato un errore nell'operazione.

In tal caso, ripetere l'operazione dal punto 1.

4) Rilasciare i pulsanti e premere ancora per alcuni secondi il pulsante [0/I] fino alla comparsa di una [E] lampeggiante.

5) Attendere fino a quando la [E] non smette di lampeggiare.

6) La [E] viene automaticamente sostituita da una [C]. La configurazione è stata cancellata.

Nota: Piastre induzione con 3 zone di cottura: Iniziare con la zona posteriore destra (b) (dato che la zona anteriore destra non esiste).

VI) Come si riconfigura il piano cottura?

1) Prendere un contenitore ferromagnetico con un diametro di almeno 16 cm.

2) Selezionare la zona di cottura premendo il simbolo [C] corrispondente.

3) Disporre la pentola sulla zona che si desidera configurare.

4) Attendere che la [C] diventi un trattino [-]. La zona di cottura è configurata.

5) Continuare nello stesso modo per tutte le zone di cottura che mostrano una [C].

6) Le zone di cottura saranno configurate quando tutte le zone verranno rilevate senza che sia visualizzato alcun simbolo.

Utilizzare solo una pentola per eseguire la configurazione.

Non mettere mai più contenitori sui punti di cottura durante la configurazione.

- Se il simbolo visualizzato rimane [E 4], chiamare il servizio clienti.

Il piano cottura o la zona di cottura non funziona:

- Il piano cottura è erroneamente collegato la rete elettrica
- È scattato l'interruttore automatico -> controllare l'interruttore automatico nel quadro elettrico.
- Verificare che il blocco non sia attivato
- I comandi a sfioramento sono bagnati o sporchi di grasso
- Un oggetto è poggiato sui tasti a sfioramento

Simbolo [U] attivato:

- Non c'è nessuna pentola sulla zona di cottura
- La pentola non è adatta per l'induzione
- Il diametro del fondo della pentola è troppo piccolo rispetto alla zona di cottura

Simbolo [E] attivato:

- Chiamare il servizio post-vendita.

Una o tutte le zone si spengono:

- Si è attivato il dispositivo di sicurezza
- La sicurezza si attiva quando ci si è dimenticati di spegnere una zona cottura
- La sicurezza può attivarsi anche quando uno o più comandi a sfioramento sono coperti
- Una pentola è vuota e il fondo è surriscaldato
- inoltre il piano cottura ha un sistema di riduzione automatica della potenza e di spegnimento automatico in caso di surriscaldamento

La ventola continua a funzionare dopo lo spegnimento del piano cottura:

- Questo non è un difetto; in questo modo il ventilatore protegge le apparecchiature elettroniche
- La ventola si ferma automaticamente.

Simbolo [L] attivato:

- Vedere il capitolo sul bloccaggio

Simbolo [II] attivato:

- Vedere il capitolo "Pausa".

Simbolo [U] attivato:

- Vedere il capitolo "Funzione Scaldavivande".

Simbolo [] o [Er03] attivato:

- Un oggetto o un liquido copre i tasti dei comandi. Il simbolo si spegne non appena i tasti vengono rilasciati o puliti.

Simbolo [E2] o [E H] attivato:

- Il piano cottura è surriscaldato; lasciarlo raffreddare e poi riattivarlo.

Simbolo [E3] attivato:

- La pentola non è adatta, utilizzare una pentola diversa.

Simbolo [E6] attivato:

- Errore del circuito elettrico. Controllare la frequenza e la tensione della rete elettrica.

Simbolo [E8] attivato:

- L'apertura di alimentazione dell'aria del ventilatore è ostruita. Liberare l'apertura.

Simbolo [E C] attivato:

- Errore di configurazione. Reimpostare il piano cottura come indicato nel capitolo "Si illumina il simbolo [E 4]".

Se uno di questi messaggi di errore resta visualizzato, contattare il servizio di assistenza.

PROTEZIONE DELL'AMBIENTE

- i materiali di imballaggio sono ecologici e riciclabili.
- i dispositivi elettronici contengono metalli preziosi. Si prega di informarsi presso la propria amministrazione sulle possibilità di riciclaggio.



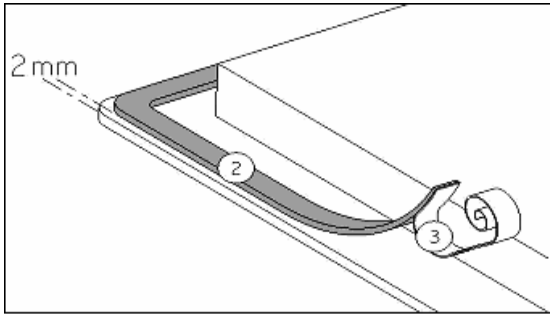
Non buttare via l'apparecchio con la spazzatura
Rivolgersi all'apposito servizio di prelievo a domicilio o portare
l'apparecchio elettrico al contenitore del proprio comune

PRESCRIZIONI PER L'INSTALLAZIONE

Il montaggio deve essere effettuato esclusivamente da specialisti autorizzati.
L'utente deve essere al corrente della legislazione e delle norme del paese in cui si trova.

Installazione della fascia impermeabile

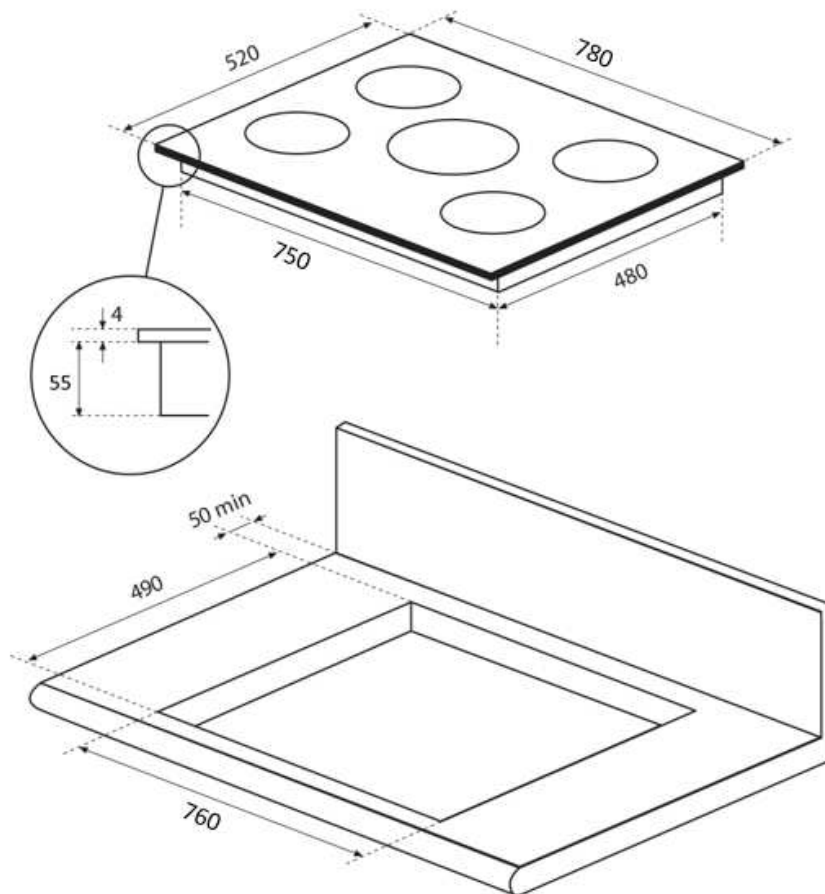
La fascia autoadesiva in dotazione con l'apparecchio evita le infiltrazioni nei mobili.
L'installazione della fascia deve essere eseguita con grande cura come illustrato nel disegno in basso.



Rimuovere la pellicola protettiva (3) e incollare la fascia di guarnizione (2) sul bordo del piano cottura a 2 mm dal contorno

Incasso

- Foro nel ripiano secondo il modello piano cottura:



Tipo	Dimensioni del taglio		Misure montaggio a raso			Dimensioni vetro		
	Larghezza	Profondità	Larghezza	Profondità	Raggio	Larghezza	Profondità	Altezza
P784IC1B2NEE	750	490	786	526	8	780	520	4

La distanza tra il piano cottura e la parete deve essere almeno di 50 mm.

- Il piano cottura è un apparecchio che appartiene alla classe di protezione «Y». Su un lato o sul retro può essere incorporata una parete alta di un armadio o di un muro. Sull'altro lato non deve trovarsi alcun mobile o dispositivo la cui altezza superi la superficie del piano cottura.
- I rivestimenti dei piani di lavoro devono essere in materiali resistenti al calore (100°C)
- I materiali del piano di lavoro possono gonfiarsi a contatto dall'umidità. Proteggere le superfici tagliate ricoprendole con una vernice o una colla speciale.
- Le strisce sui bordi del muro devono essere resistenti al calore.
- Non installare il piano cottura sopra un forno non ventilato o una lavastoviglie.
- Lasciare sotto l'involucro dell'apparecchio una distanza libera di 20 mm per assicurare una buona ventilazione delle apparecchiature elettroniche.
- Se sotto il piano cottura si trova un cassetto, accertarsi di non riporvi oggetti infiammabili (ad es. prodotti spray) e oggetti non resistenti agli calore.
- Per la distanza tra il piano cottura e la cappa aspirante osservare le istruzioni del fabbricante della cappa. In mancanza di istruzioni, è necessario mantenere una distanza minima di 760 mm.
- Dopo il collegamento il cordone elettrico non deve essere soggetto a sollecitazioni meccaniche, quali quelle.
- **Avvertenza:** Usare esclusivamente le strutture di protezione del piano cottura previste dal produttore del piano cottura, rastrelliere designate dal produttore come idonee a tale scopo o barre di protezione integrate nell'apparecchio. L'uso di recinzioni inadatte può causare incidenti.

COLLEGAMENTO ELETTRICO

- L'installazione e la connessione alla rete elettrica devono essere affidate esclusivamente ad uno specialista (elettricista) a conoscenza delle normative prescritte.
- Dopo il montaggio tutti i componenti sotto tensione devono rimanere schermati.
- Le informazioni necessarie per il collegamento elettrico si trovano sulla targhetta di identificazione nella parte inferiore dell'unità.
- L'apparecchio deve essere separato dalla rete elettrica per mezzo di un interruttore multipolare. Quando l'interruttore è aperto (circuito interrotto), la distanza tra i contatti deve essere di almeno 3 mm.
- Il circuito elettrico deve essere separato dalla rete mediante i dispositivi necessari, ad esempio interruttori sicurezza, fusibili, interruttori differenziali e morsetti.
- Se l'unità non è dotata di una presa di corrente accessibile, nel contesto dell'installazione sarà necessario prevedere l'aggiunta di un dispositivo di disinserimento.
- Il cordone di alimentazione deve essere installato in modo che non possa toccare le parti calde del piano cottura o del forno.

Attenzione!

Questo apparecchio è dotato di una connessione a una tensione di rete 230V ~ 50/60Hz

Collegare sempre la presa di terra. Rispettare lo schema di connessione.

La scatola di collegamento si trova sotto il piano cottura.

Per aprire il coperchio, utilizzare un cacciavite e inserirlo nelle due tacche davanti alle due frecce.

COLLEGAMENTO DEL PIANO COTTURA:

Rete	Allacciamento	Cavo di alimentazione	Cavo di alimentazione	Calibratura interruttori
230 V~ 50/60 Hz	Monofase +N	3 x 2,5 mm ²	H 05 VV - F H 05 RR - F	25 A *
400 V~ 50/60Hz	2 fasi +N	4 x 1,5 mm ²	H 05 VV - F H 05 RR - F	16 A *

* calcolato utilizzando il coefficiente di contemporaneità secondo lo standard e 60 335-2-6

Collegamento del piano di cottura

Per le diverse possibilità di allacciamento elettrico, usare i ponti di connessione in ottone situati nella scatola di collegamento.

Collegamento monofase 230V~1P+N

Mettere un ponte di connessione tra i morsetti di collegamento 1 e 2. Fissare il collegamento di terra al morsetto di « terra », il neutro al morsetto 4, la fase L al morsetto 1 o 2.

Collegamento bifase 400V~2P+N

Fissare il collegamento di terra al morsetto di « terra », il neutro al morsetto 4, la fase L1 al morsetto 1 e la fase L2 al morsetto 2.

Attenzione! Inserire bene i conduttori e serrare bene le viti.

Non ci assumiamo alcuna responsabilità per incidenti derivanti da una connessione inadeguata o verificatisi su dispositivi privi di messa a terra o con messa a terra difettosa.

SOMMAIRE

SECURITE	44
PRECAUTIONS AVANT UTILISATION EN CUISSON	44
UTILISATION DE L'APPAREIL	44
PRECAUTIONS POUR NE PAS DETERIORER L'APPAREIL	45
PRECAUTIONS EN CAS DE DEFAILLANCE DE L'APPAREIL	46
AUTRES PROTECTIONS	47
DESCRIPTION DE L'APPAREIL	48
CARACTERISTIQUES TECHNIQUES	48
BANDEAU DE COMMANDE DE LA TABLE	49
UTILISATION DE L'APPAREIL	49
TOUCHES SENSITIVES	49
AFFICHAGE	49
VENTILATION.....	50
MISE EN ROUTE ET GESTION DE L'APPAREIL	50
AVANT LA PREMIERE UTILISATION.....	50
PRINCIPE DE L'INDUCTION	50
ZONE DE SELECTION DE PUISSANCE " SLIDER " ET DE REGLAGE DE LA MINUTERIE	50
MISE EN ROUTE.....	51
DETECTION DE RECIPIENT	51
INDICATEUR DE CHALEUR RESIDUELLE.....	51
FONCTION BOOSTER ET DOUBLE BOOSTER	51
FONCTION MINUTERIE	52
PROGRAMMATION DE L'ACCELERATEUR DE CHAUFFE	53
FONCTION STOP & Go.....	54
FONCTION RAPPEL	54
FONCTION BRIDGE	54
ZONES FONCTION « MAINTIEN AU CHAUD »	54
VERROUILLAGE DU BANDEAU DE COMMANDE.....	55
CONSEILS DE CUISSON	56
QUALITE DES CASSEROLES	56
DIMENSION DES CASSEROLES.....	56
EXEMPLES DE REGLAGE DES PUISSANCES DE CUISSON	57
ENTRETIEN ET NETTOYAGE	57
QUE FAIRE EN CAS DE PROBLEME	57
PROTECTION DE L'ENVIRONNEMENT	59
INSTRUCTIONS D'INSTALLATION	60
CONNEXION ELECTRIQUE	62

Précautions avant utilisation en cuisson

- Retirez toutes les parties de l'emballage.
- L'installation et le branchement électrique de l'appareil sont à confier à des spécialistes agréés. Le fabricant ne saurait être tenu responsable des dommages résultant d'une erreur d'encastrement ou de raccordement.
- L'appareil ne doit être utilisé que s'il est monté et installé dans un meuble et un plan de travail homologué et adapté.
- Son utilisation est uniquement destinée à l'usage domestique habituel (préparation des aliments), à l'exclusion de toute autre utilisation domestique, commerciale ou industrielle.
- Enlevez toutes les étiquettes et autocollants du verre vitrocéramique.
- Ne pas transformer ou modifier l'appareil.
- La table de cuisson ne doit pas servir de support ou de plan de travail.
- La sécurité n'est assurée que si l'appareil est raccordé à une terre de protection conforme aux prescriptions en vigueur.
- Pour le raccordement au réseau électrique n'utilisez pas de rallonge.
- L'appareil ne doit pas être utilisé au-dessus d'un lave-vaisselle ou d'un sèche-linge : les vapeurs d'eau dégagées pourraient détériorer l'électronique.
- Ne faites pas fonctionner l'appareil avec un minuteur externe ou un système de commande à distance.

Utilisation de l'appareil

- Coupez toujours les foyers après utilisation.
- Surveillez constamment les cuissons qui utilisent des graisses et des huiles, car elles sont susceptibles de s'enflammer rapidement.
- Prenez garde aux risques de brûlures pendant et après l'utilisation de l'appareil.

- Assurez-vous qu'aucun câble électrique d'appareil fixe ou mobile ne vienne en contact avec la vitre ou la casserole chaude.
- Les objets magnétisables (cartes de crédits, disquettes informatiques, calculatrices) ne doivent pas se trouver à proximité immédiate de l'appareil en fonction.
- Ne placez aucun objet métallique autre que les récipients de chauffe. En cas d'enclenchement intempestif ou de chaleur résiduelle, celui-ci risquerait selon le matériau de chauffer, de fondre ou de commencer à brûler.
- Ne jamais couvrir l'appareil d'un chiffon ou d'une feuille de protection. Il pourrait devenir très chaud et prendre feu.
- Cet appareil peut être utilisé par des enfants âgés de 8 ans et plus et des personnes dont les capacités physiques, sensorielles ou mentales sont réduites ou dont les expériences et les connaissances sont inadaptées, uniquement si elles sont surveillées, formées à l'utilisation de l'appareil en conditions de sécurité et informées des risques susceptibles de se présenter.
- Les enfants ne doivent pas jouer avec l'appareil.
- Le nettoyage et l'entretien ne doivent pas être confiés à des enfants sans surveillance d'adultes.
- Les objets métalliques tels que des couteaux, des fourchettes, des cuillères et des couvercles ne devraient pas être placés la surface vitrée puisqu'ils peuvent devenir chauds.

Précautions pour ne pas détériorer l'appareil

- Les casseroles à semelles brutes (fonte non émaillée,...) ou abîmées peuvent endommager la vitrocéramique.
- La présence de sable ou d'autres matériaux abrasifs peut endommager la vitrocéramique.
- Evitez de faire chuter des objets, mêmes petits, sur la vitrocéramique.
- Ne heurtez pas les bords de la vitre avec les casseroles.
- S'assurer que la ventilation de l'appareil se fasse suivant les instructions du constructeur.
- Ne posez pas ou ne laissez pas de casseroles vides sur la table de cuisson.

- Eviter que le sucre, les matières synthétiques ou une feuille d'aluminium ne touchent les zones chaudes. Ces substances peuvent au refroidissement provoquer des cassures ou d'autres modifications de la surface vitrocéramique: Eteindre l'appareil et enlevez-les immédiatement de la zone de cuisson encore chaude (attention : risque de brûlures).
- **MISE EN GARDE:** Risque d'incendie : ne pas entreposer d'objets sur la surface de cuisson.
- Ne placez jamais de récipients chauds au dessus de la zone de commande.
- Si un tiroir est situé sous l'appareil encastré, assurer un écart suffisant (2 cm) entre le contenu de ce tiroir et la partie inférieure de l'appareil afin d'assurer une bonne ventilation.
- Ne déposez pas d'objets inflammables (ex. sprays) dans le tiroir placé sous la table de cuisson. Les éventuels casiers à couverts doivent être en matériau résistant à la chaleur.

Précautions en cas de défaillance de l'appareil

- Si un défaut est constaté, il faut débrancher l'appareil et couper l'alimentation électrique.
- En cas de fêlure ou de fissure de la vitrocéramique il faut impérativement débrancher l'appareil du réseau électrique et prévenir le service après-vente.
- Les réparations doivent être entreprises exclusivement par un personnel spécialisé. N'ouvrez en aucun cas l'appareil vous-même.
- **ATTENTION** : Si la surface vitrée est fissurée, coupez l'alimentation de l'appareil pour éviter une éventuelle décharge électrique.

Autres protections

- Assurez-vous que le récipient de cuisson soit toujours centré sur la zone de cuisson. Le fond de la casserole doit autant que possible couvrir la zone de cuisson.
- Pour les utilisateurs portant un régulateur de rythme cardiaque, le champ magnétique pourrait influencer son fonctionnement. Nous recommandons de se renseigner auprès du revendeur ou du médecin.
- N'utilisez pas de récipients en matière synthétique ou en aluminium : ils pourraient fondre sur des foyers encore chauds.
- **NE JAMAIS** essayer d'éteindre un incendie avec de l'eau, mais arrêter l'appareil puis couvrir les flammes par exemple avec un couvercle ou une couverture anti-feu.



**L'UTILISATION DE CASSEROLES NON ADAPTÉES,
OU D'ACCESOIRES AMOVIBLES INTERMÉDIAIRES
POUR FAIRE CHAUFFER DES CASSEROLES NON
INDUCTIVES ENTRAÎNE UNE RUPTURE DE LA
GARANTIE.
LE FABRICANT NE SAURAIT ÊTRE TENU POUR
RESPONSABLE DES DÉTERIORATIONS DE LA TABLE
OU DE SON ENVIRONNEMENT.**



DESCRIPTION DE L'APPAREIL

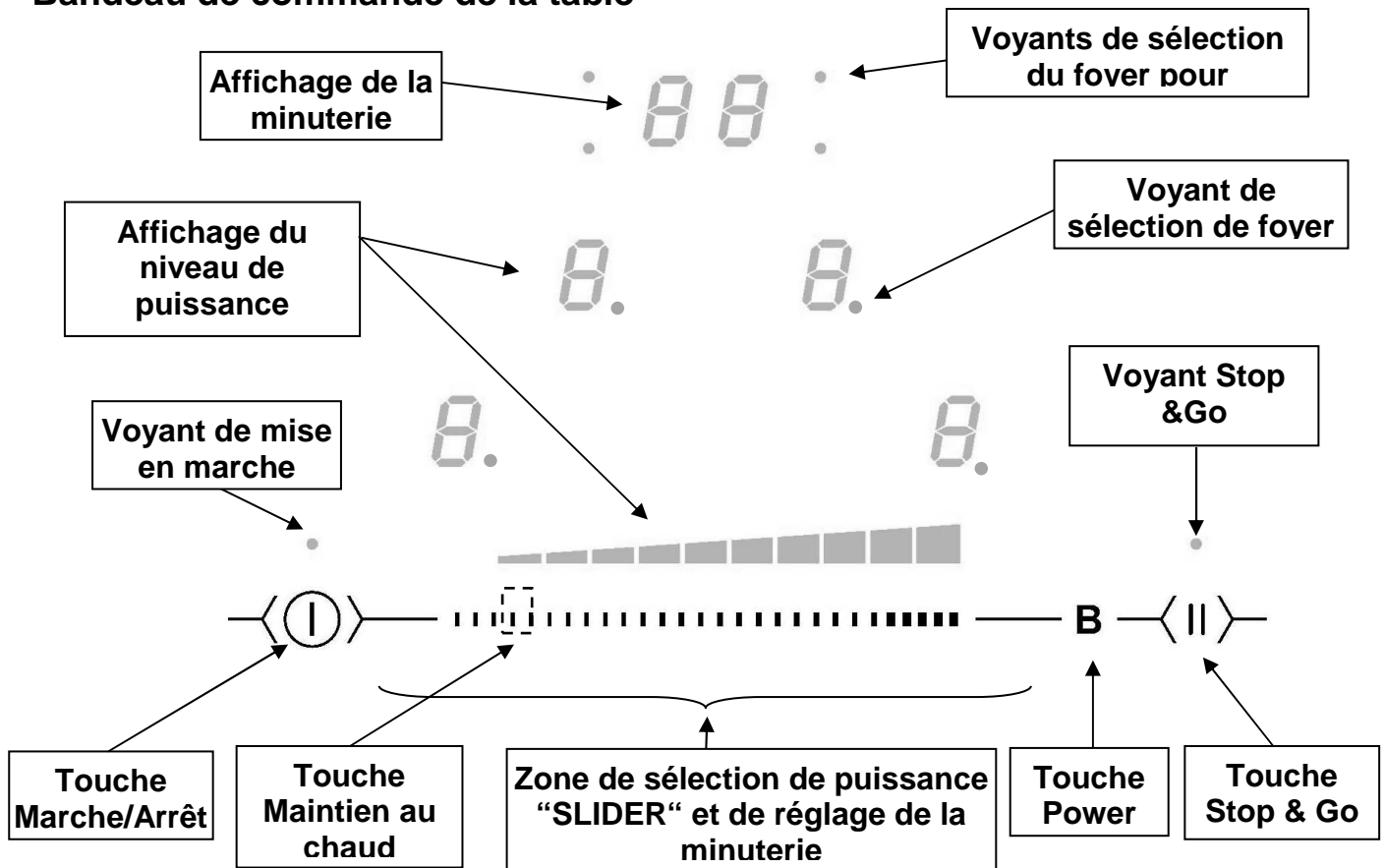
Caractéristiques techniques

Type	P784IC1B2NEE
Puissance Totale	7400 W
Consommation d'énergie de la table de cuisson EC _{hob} **	168.3 Wh/kg
Foyer avant gauche	210 x 200 mm
Détection minimum	Ø 90 mm
Puissance nominale*	2100 W
Puissance du booster*	2500 W
Puissance du double booster*	3000 W
Catégorie de la casserole standard**	B
Consommation d'énergie EC _{cw} **	161.3 Wh/kg
Foyer arrière gauche	210 x 200 mm
Détection minimum	Ø 90 mm
Puissance nominale*	1600 W
Puissance du booster*	1850 W
Puissance du double booster*	-
Catégorie de la casserole standard**	B
Consommation d'énergie EC _{cw} **	161.3 Wh/kg
Foyer arrière droit	Ø 215 mm
Détection minimum	Ø 100 mm
Puissance nominale*	2300 W
Puissance du booster*	3000 W
Puissance du double booster*	-
Catégorie de la casserole standard**	C
Consommation d'énergie EC _{cw} **	168.4 Wh/kg
Foyer avant droit	Ø 175 mm
Détection minimum	Ø 90 mm
Puissance nominale*	1100 W
Puissance du booster*	1400 W
Puissance du double booster*	-
Catégorie de la casserole standard**	A
Consommation d'énergie EC _{cw} **	181.9 Wh/kg

* la puissance peut varier en fonction des dimensions et des matériaux des casseroles.

** calculé selon la méthode de mesure de l'aptitude à la fonction (EN 60350-2).

Bandeau de commande de la table



UTILISATION DE L'APPAREIL

Touches sensibles

Votre appareil est équipé de touches sensibles permettant de commander les différentes fonctions. Un effleurage de la touche active leur fonctionnement. Cette activation est validée par un voyant, un affichage et/ou par un signal sonore. **Dans le cas d'une utilisation générale n'appuyez que sur une seule touche à la fois.**

Affichage

<u>Affichage</u>	<u>Désignation</u>	<u>Description</u>
0.	Zéro	La zone de chauffe est activée.
1...9	Niveau de puissance	Choix du niveau de cuisson.
<u>U</u>	Non détection de casserole	Récipient manquant ou inapproprié.
<u>A</u>	Accélérateur de chauffe	Cuisson automatique.
<u>E</u>	Message d'erreur	Défaut de circuit électronique.
<u>H</u>	Chaleur résiduelle	La zone de cuisson est chaude.
<u>P</u>	Power	La puissance turbo est activée.
<u>L</u>	Verrouillage	La table est sécurisée.
<u>U</u>	Maintien Chaud	La cuisson est maintenue à 70°C.
<u>II</u>	Stop&Go	La table est en pause.

Ventilation

Le ventilateur de refroidissement a un fonctionnement entièrement automatique. Il se met en route à petite vitesse dès que les calories dégagées par l'électronique dépassent un certain seuil. La ventilation enclenche sa seconde vitesse lorsque la table de cuisson est utilisée intensivement. Le ventilateur réduit sa vitesse et s'arrête automatiquement dès que le circuit électronique est suffisamment refroidi.

MISE EN ROUTE ET GESTION DE L'APPAREIL

Avant la première utilisation

Nettoyez votre appareil avec un chiffon humide, puis séchez-le. N'utilisez pas de détergent qui risquerait de provoquer une coloration bleutée sur les surfaces vitrées.

Principe de l'induction

Une bobine d'induction se trouve sous chaque foyer de cuisson. Lorsque celle-ci est enclenchée, elle produit un champ électromagnétique variable qui, à son tour produit des courants induits dans le fond ferro-magnétique du récipient. Il en résulte un échauffement du récipient placé sur la zone de chauffe.

Bien entendu le récipient doit être adapté :

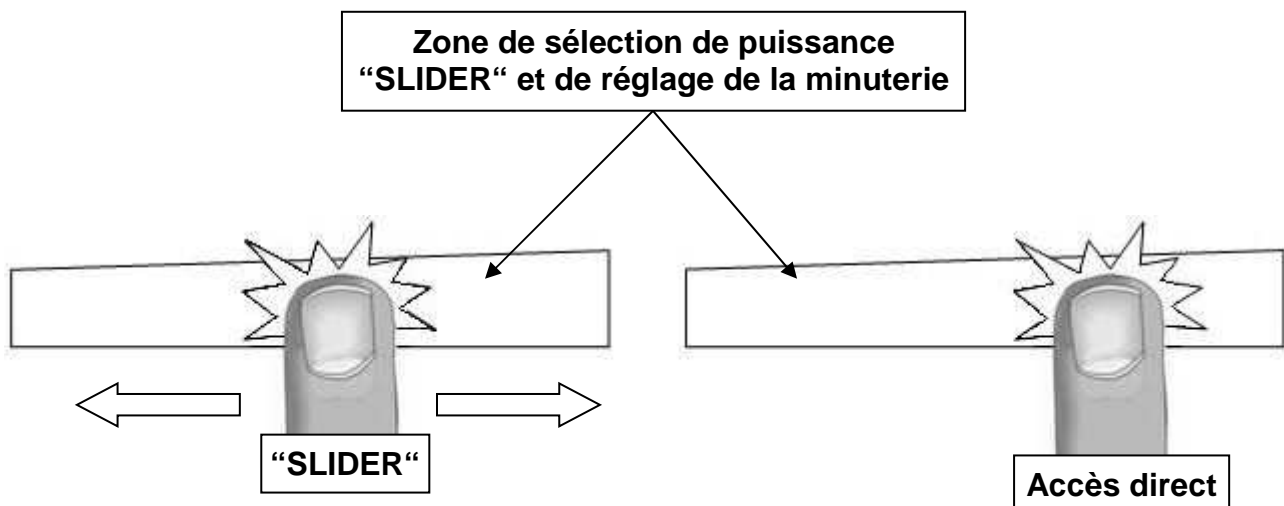
- Sont recommandés tous les récipients métalliques ferro-magnétiques (à vérifier éventuellement avec un petit aimant) tels que : cocotte en fonte, poêle en fer noir, casseroles métalliques émaillées, en inox à semelle ferro-magnétique...
- Sont exclus les récipients en cuivre, inox, aluminium, verre, bois, céramique, grès, terre cuite, inox non ferro-magnétique...

La zone de cuisson à induction prend automatiquement en compte la taille du récipient utilisé. Avec un diamètre trop petit, le récipient ne fonctionne pas. Ce diamètre varie en fonction du diamètre de la zone de cuisson.

Lorsque le récipient n'est pas adapté à la table de cuisson le symbole [U] reste affiché.

Zone de sélection de puissance "SLIDER" et de réglage de la minuterie

Pour la sélection de la puissance par le slider faire glisser votre doigt sur la zone "SLIDER". Vous bénéficiez également d'un accès direct en posant votre doigt directement sur le niveau souhaité.



Mise en route

- **Enclencher / arrêter la table de cuisson :**

<u>Action</u>	<u>Bandeau de commande</u>	<u>Afficheur</u>
Enclencher	Appuyer 2 sec. sur [①]	[0] clignotent
Arrêter	Appuyer 2 sec. sur [①]	aucun ou [H]

- **Réglage de la zone de chauffe :**

<u>Action</u>	<u>Bandeau de commande</u>	<u>Afficheur</u>
Sélectionner la zone	Appuyer sur [0] de la zone	[0] et voyant de zone allumé
Régler (Ajuster la puissance)	Glisser sur le "SLIDER" vers la droite ou la gauche	[0] à [9]
Arrêter	Glisser jusqu'à [0] sur le "SLIDER" ou appuyer sur [0]	[0] ou [H] [0] ou [H]

Si aucun réglage n'est fait dans un délai de 20 secondes l'électronique revient en position d'attente.

Détection de récipient

La détection de récipient assure une sécurité parfaite. L'induction ne fonctionne pas :

- Lorsqu'il n'y a pas de récipient sur la zone de cuisson ou lorsque ce récipient est inadapté à l'induction. Dans ce cas il est impossible d'augmenter la puissance et dans l'afficheur le symbole [U] apparaît. Le [U] disparaît lorsqu'une casserole est posée sur le foyer de cuisson.
- Si en cours de cuisson le récipient est enlevé de la zone de cuisson, le fonctionnement est interrompu. Dans l'afficheur le symbole [U] apparaît. Le [U] disparaît lorsque le récipient est remis sur le foyer de cuisson. La cuisson reprend au niveau de puissance sélectionnée au préalable.

Après utilisation, éteignez la zone de chauffe. Ne laissez pas la détection de casserole [U] active.

Indicateur de chaleur résiduelle

Après l'arrêt des zones de cuisson ou l'arrêt complet de la table, les zones de cuissons sont encore chaudes et sont signalées par le symbole [H].

Le symbole [H] s'éteint lorsque les zones de cuisson peuvent être touchées sans danger.

Tant que les témoins de chaleur résiduelle sont allumés, ne touchez pas les zones de cuisson et ne posez aucun objet sensible à la chaleur. **Risque de brûlure et d'incendie !**

Fonction booster et double booster

La fonction Power [B] octroie un renforcement de puissance à la zone de cuisson sélectionnée.

Si ces fonctions sont activées, les zones de cuisson fonctionnent pendant 5 minutes avec une puissance nettement plus élevée.

Le Power est conçu par exemple pour faire chauffer rapidement de grandes quantités d'eau, comme pour la cuisson des pâtes.

- **Enclencher / arrêter la fonction booster:**

<u>Action</u>	<u>Bandeau de commande</u>	<u>Afficheur</u>
Sélectionner la zone	Appuyer sur [0] de la zone	[0] et voyant de zone allumé
Enclencher booster	Appuyer sur [B]	[P]
Stopper booster	Glisser sur le "SLIDER"	[9] à [0]

- **Enclencher / arrêter le double booster:**

<u>Action</u>	<u>Bandeau de commande</u>	<u>Afficheur</u>
Sélectionner la zone	Appuyer sur [0] de la zone	[0] et voyant de zone allumé
Enclencher le booster	Appuyer sur [B]	[P]
Enclencher le double booster	Ré-appuyer sur [B]	[" P] puis P]
Stopper le double booster	Appuyer sur [B]	[P]
Stopper le booster	Glisser sur le "SLIDER"	[9] à [0]

- **Gestion de la puissance maximale :**

L'ensemble de la table de cuisson est doté d'une puissance maximale. Lorsque la fonction Power est activée, et pour ne pas excéder cette puissance maximale, la commande électronique réduit automatiquement le niveau de cuisson d'une autre zone de chauffe.

Durant quelques secondes, l'afficheur de cette zone de cuisson en clignotant [9] puis affiche le niveau de cuisson maximum possible :

<u>Zone de cuisson sélectionnée</u>	<u>Autre zone de cuisson</u> (exemple : puissance niveau 9)
[P] est affiché	[9] passe à [6] ou [8] suivant le type de foyer

Fonction minuterie

La minuterie peut être affectée simultanément aux foyers de cuisson et ceci avec des réglages de temps de minuterie différents (de 0 à 99 minutes) pour chacune des zones.

- **Réglage ou modification de la durée de cuisson :**

Exemple pour 16 minutes à puissance 7 :

<u>Action</u>	<u>Bandeau de commande</u>	<u>Afficheur</u>
Sélectionner la zone	Appuyer sur [0] de la zone	[0] et voyant de zone allumé
Sélectionner la puissance	Glisser sur le "SLIDER" jusqu'à [7]	[7]
Sélectionner « Minuterie »	Appuyer sur [CL]	[00]
Réglage des unités	Glisser sur le "SLIDER" jusqu'à [6]	[0 fixe] [6 clignotant]
Valider les unités	Appuyer sur [06]	[0 clignotant] [6 fixe]
Réglage des dizaines	Glisser sur le "SLIDER" jusqu'à [1]	[1 clignotant] [6 fixe]
Valider les dizaines	Appuyer sur [16]	[16]

La durée est sélectionnée et le décompte démarre.

- **Arrêter la fonction minuterie cuisson :**

Exemple pour 13 minutes restantes à puissance 7 :

<u>Action</u>	<u>Bandeau de commande</u>	<u>Afficheur</u>
Sélectionner la zone	Appuyer sur [7] de la zone	[7] et voyant de zone allumé
Sélectionner « Minuterie »	Appuyer sur [13]	[13]
Désactiver les unités	Glisser sur le "SLIDER" jusqu'à [0]	[1 fixe] [0 clignotant]
Valider les unités	Appuyer sur [10]	[1 clignotant] [0 fixe]
Désactiver les dizaines	Glisser sur le "SLIDER" jusqu'à [0]	[00 clignotant] [0 fixe]
Valider les dizaines	Appuyer sur [00]	[00]

- **Arrêt automatique en fin de cuisson :**

Dès que le temps de cuisson sélectionné est écoulé la minuterie affiche en clignotant [00] et un signal sonore retentit.

Pour stopper le son et le clignotement, il suffit d'appuyer sur la touche [00].

- **Minuterie utilisée hors cuisson :**

Exemple pour 29 minutes :

<u>Action</u>	<u>Bandeau de commande</u>	<u>Afficheur</u>
Activer la table de cuisson	Appuyer sur [①]	Voyants de zone allumés [00]
Sélectionner « Minuterie »	Appuyer sur [CL]	[0 fixe] [9 clignotant]
Réglage des unités	Glisser sur le “SLIDER” jusqu’à [9]	[0 clignotant] [9 fixe]
Valider les unités	Appuyer sur [09]	[2 clignotant] [9 fixe]
Réglage des dizaines	Glisser sur le “SLIDER” jusqu’à [2]	[29]
Valider les dizaines	Appuyer sur [29]	

La durée est sélectionnée et le décompte démarre.

Dès que le temps de cuisson sélectionné est écoulé la minuterie affiche en clignotant [00] et un signal sonore retentit.

Pour stopper le son et le clignotement, il suffit d'appuyer sur la touche [00]. La table s'éteint.

Programmation de l'accélérateur de chauffe

Toutes les zones de cuisson sont équipées d'un accélérateur de chauffe. La zone de cuisson se met en marche à pleine puissance pendant un certain temps, puis réduit automatiquement sa puissance sur le niveau présélectionné.

- **Mise en route de l'automatisme :**

<u>Action</u>	<u>Bandeau de commande</u>	<u>Afficheur</u>
Sélectionner la zone	Appuyer sur [0] de la zone	[0] et voyant de zone allumé
Activer la pleine puissance	Glisser sur le “SLIDER” jusqu’à [9]	passé de [0] à [9]
Activer l'accélérateur de chauffe	Appuyer sur « SLIDER »	[9] clignote avec [A]
Sélectionner niveau (par exemple « 7 »)	Glisser sur le “SLIDER” jusqu’à [7]	[9] passe à [8] [7] [7] clignote avec [A]

- **Arrêt:**

<u>Action</u>	<u>Bandeau de commande</u>	<u>Afficheur</u>
Sélectionner la zone	Appuyer sur [7] de la zone	[7] clignote avec [A]
Sélectionner niveau	Glisser sur le “SLIDER”	[1] à [9]

Puissance sélectionnée	Temps automatisme de cuisson (Min : S)
1	00:48
2	02:24
3	03:36
4	05:24
5	06:48
6	02:00
7	02:48
8	03:36
9	- : -

Fonction Stop & Go

Cette fonction permet d'interrompre temporairement la cuisson et de la réactiver avec les mêmes réglages.

- **Enclencher, désactiver la fonction :**

<u>Action</u>	<u>Bandeau de commande</u>	<u>Afficheur</u>
Activer Stop&Go	Appuyer sur la touche [II] pendant 2s	[II] sur les afficheurs
Stopper Stop&Go	Appuyer sur le touche [II] pendant 2s puis appuyer sur un des 2 afficheurs clignotants	[II] clignotent Les réglages précédent s'affichent

Fonction rappel

Après avoir éteint la table [①], il est possible de rappeler les derniers réglages sélectionnés :

- Etat de cuisson de toutes les zones de cuisson (puissance).
- Minutes et secondes des zones de cuisson programmées par les minuteries.
- Fonction "cuisson automatique".

La procédure de rappel est la suivante :

- Appuyer sur la touche [①].
- Ensuite appuyer sur la touche [II] en moins de 6 secondes.

Les réglages précédents sont à nouveau actifs.

Fonction Bridge

Cette fonction permet de combiner les 2 zones avec les mêmes fonctionnalités qu'une seule zone. La fonction power n'est pas compatible avec cette fonction.

<u>Action</u>	<u>Bandeau de commande</u>	<u>Afficheur</u>
Mis en route Activer le bridge	Appuyer sur [①] Appuyer sur les 2 zones	[0] ou [H] [0] sur la zone avant et [□] sur la zone arrière.
Augmenter le bridge	Glisser sur le "SLIDER " [1 à 9] ou [maintien au chaud]	[1 à 9] ou [U]
Arrêter le bridge	Appuyer sur les 2 zones	[0] ou [H] sur les 2 Zones

Fonction « Maintien au chaud »

Cette fonction de maintien au chaud permet d'atteindre et de maintenir automatiquement une température de 70°C.

Ceci évitera aux liquides de déborder et aux mets d'attacher au fond de la casserole.

- **Activer, désactiver la fonction « Maintien au chaud » :**

<u>Action</u>	<u>Bandeau de commande</u>	<u>Afficheur</u>
Sélectionner la zone	Appuyer sur [0] de la zone	[0] à [9] ou [H]
Activer le maintien au chaud	Appuyer sur [Maintien Chaud] du slider	[U]
Arrêter le maintien au chaud	glisser sur le "SLIDER"	[0] à [9] ou [H]

Cette fonction peut être mise en route indépendamment sur tous les foyers.

Lorsque la casserole quitte la zone de cuisson la fonction « Maintien au chaud » reste active pendant environ 10 minutes.

La durée maximale de maintien au chaud est de 2 heures.

Verrouillage du bandeau de commande

Pour éviter de modifier une sélection de la table de cuisson, notamment dans le cadre du nettoyage de la vitre, le bandeau de commande (à l'exception de la touche marche/arrêt [⏻]) peut être verrouillé.

- **Verrouillage :**

<u>Action</u>	<u>Bandeau de commande</u>	<u>Afficheur</u>
Mise en route	Appuyer 2 sec. sur [⏻]	[0] ou [H]
Verrouiller la table	1. appuyer ensemble sur [B] et [0] de la zone avant droite 2. ré appuyer sur [0]	pas de changement [L] sur les afficheurs

- **Déverrouillage :**

<u>Action</u>	<u>Bandeau de commande</u>	<u>Afficheur</u>
Mise en route	Appuyer 2 sec. sur [⏻]	[L]
Dans les 5 secondes après la mise en route : Déverrouiller la table	1. appuyer ensemble sur [B] et [L] de la zone avant droite 2. appuyer sur [B]	[0] sur les afficheurs les afficheurs sont éteints

CONSEILS DE CUISSON

Qualité des casseroles

Matériaux adaptés : acier, acier émaillé, fonte, inox à fond ferro-magnétique, aluminium à fond ferro-magnétique.

Matériaux non adaptés : aluminium et inox à fond non ferro-magnétique, cuivre, laiton, verre, céramique, porcelaine.

Les fabricants spécifient si leurs produits sont compatibles induction.

Pour vérifier si des casseroles sont compatibles :

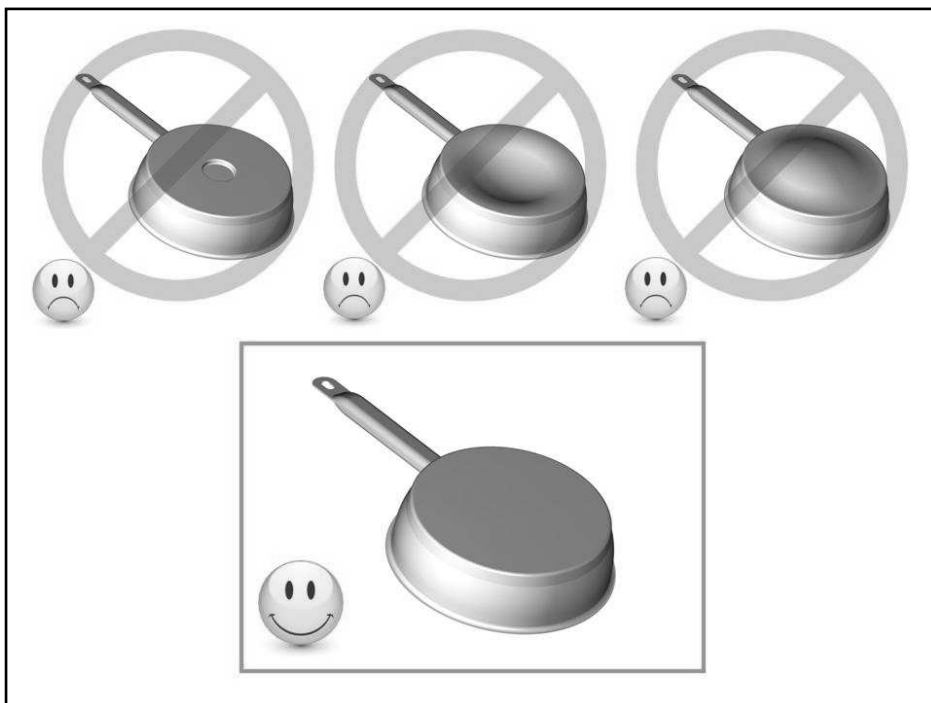
- Placez un peu d'eau dans une casserole placée sur une zone de cuisson induction réglée au niveau [9]. Cette eau doit chauffer en quelques secondes.
- Placez un aimant sur le fond externe de la casserole, il doit rester collé.

Certaines casseroles peuvent faire du bruit lorsqu'elles sont placées sur une zone de cuisson à induction. Ces bruits ne traduisent en aucun cas un défaut de l'appareil et n'influent nullement sur son fonctionnement.

La qualité du fond de la casserole peut influencer l'uniformité de la cuisson et le enregistrement de puissance de la casserole.

N'utilisez que des casseroles et des poêles à fond lisse. Les bases rugueuses des casseroles et des poêles raient le verre.

Utilisez de préférence des sauteuses à bords droits. Pour les poêles aux bords inclinés, l'induction agit aussi dans les zones de bordure de la poêle. Par conséquent, le bord des poêles se décolore.



Dimension des casseroles

Les zones de cuisson s'adaptent automatiquement à la dimension du fond de la casserole jusqu'à une certaine limite. Le fond de cette casserole doit cependant avoir un diamètre minimum en fonction du diamètre de la zone de cuisson correspondante.

Afin d'obtenir le rendement maximum de votre table de cuisson, veuillez placer la casserole bien au centre de la zone de cuisson.

Exemples de réglage des puissances de cuisson

(Les valeurs ci-dessous sont indicatives)

1 à 2	Faire fondre Réchauffer	Sauces, beurre, chocolat, gélatine Plats pré-cuisinés
2 à 3	Gonfler Décongélation	Riz, pudding et plats cuisinés Légumes, poisson, produits congelés
3 à 4	Vapeur	Légumes, poissons, viande
4 à 5	Eau	Pommes de terre à l'eau, soupes, pâtes Légumes frais
6 à 7	Cuire à feu doux	Viandes, foie, œufs, saucisses Goulasch, roulades, tripes
7 à 8	Cuire Frire	Pommes de terre, beignets, galettes
9	Frire, Porter à ébullition	Steaks, omelettes eau
P	Frire, Porter à ébullition	Porter à ébullition des quantités importantes d'eau

ENTRETIEN ET NETTOYAGE

Pour nettoyer il faut mettre l'appareil hors fonctionnement.

Laissez refroidir l'appareil, **car risques de brûlures.**

- Nettoyez les restes de cuisson avec de l'eau additionnée de produit vaisselle ou un produit du commerce conseillé pour la vitrocéramique.
- N'utilisez en aucun cas d'appareils « à vapeur » ou « à pression ».
- Ne pas utiliser d'objets qui risqueraient de rayer la vitrocéramique (tel que tampon abrasifs ou pointe de couteau...).
- N'utilisez pas de produits de nettoyage abrasifs qui pourraient endommager l'appareil.
- Séchez l'appareil avec un chiffon propre.
- Enlevez immédiatement le sucre et les mets contenant du sucre.

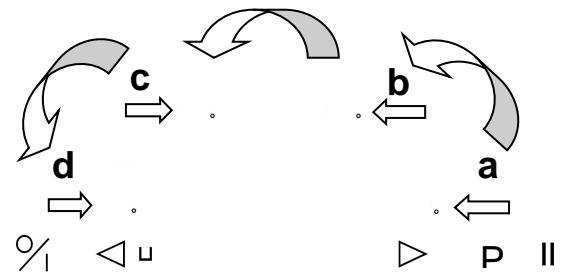
QUE FAIRE EN CAS DE PROBLEME

Le symbole [E 4] s'affiche :

- La table doit être reconfigurée suivant la procédure ci-dessous :
 - I) Attention : au départ ne pas mettre de récipients sur la table à induction.
 - II) Débrancher la table du réseau électrique : enlever le fusible ou couper le disjoncteur.
 - III) Rebrancher la table au réseau électrique : remettre le fusible ou rebrancher le disjoncteur.
 - IV) Procédure : Vous munir d'un récipient à fond ferromagnétique de diamètre 16 cm minimum.
 - * démarrer en moins de 2 minutes après branchement au réseau électrique.
 - * ne pas appuyer sur [⓪]

V) Il faut d'abord annuler la configuration existante

- 1) Appuyer sur la **touche [B]** et rester appuyé.
- 2) Sur chaque afficheur apparaît un [.]
- 3) Avec un doigt de l'autre main appuyer successivement et rapidement (en moins de 2s) sur les [.]. En partant de la zone Avant-Droite et en tournant dans le sens inverse des aiguilles d'une montre (a -> b -> c -> d). Un double "bip" signifie une erreur de manipulation. Dans ce cas, refaire l'opération depuis l'étape n° 1.



- 4) Oter les doigts des touches et réappuyer sur la touche [0/I] pendant quelques secondes jusqu'à ce que les [E] clignotants apparaissent.
- 5) Attendre que les [E] deviennent fixes.
- 6) Les [E] se transforment ensuite automatiquement en [C]. La configuration est annulée.

Nota : Tables à induction avec 3 zones de cuisson : Démarrer avec la zone arrière droite (b) (la zone avant droite n'existant pas).

VI) Comment reconfigurer la table ?

- 1) Prendre un récipient ferro-magnétique de diamètre 16cm minimum.
- 2) Sélection la zone de cuisson en appuyant sur le [C] correspondant.
- 3) Poser le récipient sur la zone à configurer.
- 4) Attendre jusqu'à ce que [C] se transforme en [-]. La zone de cuisson est configurée.
- 5) Procéder de la même manière pour toutes les zones de cuisson qui affichent [C].
- 6) Les zones de cuisson sont configurées lorsque toutes les zones auront été détectées et que plus rien n'est affiché.

N'utilisez qu'un seul récipient pour effectuer la configuration.

Ne jamais poser plusieurs récipients sur les foyers pendant la configuration.

- si l'affichage [E 4] persiste appelez le Service Après-ventes.

La table de cuisson ou les zones de cuisson ne s'enclenchent pas :

- La table est mal connectée au réseau électrique.
- Le fusible de protection a sauté.
- Vérifiez si le verrouillage n'est pas activé.
- Les touches sensibles sont couvertes d'eau ou de graisse.
- Un objet est posé sur les touches sensibles.

Le symbole [U] s'affiche :

- Il n'y a pas de casserole sur la zone de cuisson.
- Le récipient utilisé n'est pas compatible avec l'induction.
- Le diamètre du fond de casserole est trop petit par rapport à la zone de cuisson.

Le symbole [E] s'affiche :

- Débranchez et rebranchez la table de cuisson
- Appelez le Service Après-ventes.

L'une des zones ou l'ensemble du plan de cuisson se déclenche :

- Le déclenchement de sécurité a fonctionné.
- Celui-ci s'actionne dans le cas où vous avez oublié de couper une des zones de chauffe.
- Il s'enclenche également lorsqu'une ou plusieurs touches sensibles sont couvertes.
- Une des casseroles est vide et son fond a surchauffé.
- La table dispose également d'un dispositif de réduction automatique de niveau de puissance et de coupure automatique en cas de surchauffe.

La soufflerie de ventilation continue de tourner après l'arrêt de la table :

- Ce n'est pas un défaut, le ventilateur continue de protéger l'électronique de l'appareil.
- La soufflerie s'arrête automatiquement.

La commande de cuisson automatique ne s'enclenche pas :

- La zone de cuisson est encore chaude [H].
- Le niveau de cuisson maximum est enclenché [9].

Le symbole [L] s'affiche :

Se référer au chapitre verrouillage du bandeau de commande.

Le symbole [U] s'affiche :

Se référer au chapitre "Maintien chaud".

Le symbole [II] s'affiche :

Se référer au chapitre "Pause".

Le symbole [] ou [Er03] s'affiche :

- Un objet ou un liquide recouvre les touches de la commande. Le symbole disparaît une fois les touches libérées ou nettoyées.

Le symbole [E2] ou [E H] s'affiche :

- La table est en surchauffe, laissez-la refroidir puis rallumez-la.

Le symbole [E3] s'affiche :

- La casserole n'est pas adaptée, changez de casserole.

Le symbole [E6] s'affiche :

- Réseau électrique défectueux. Contrôlez la fréquence et la tension du réseau électrique.

Le symbole [E8] s'affiche :

- L'entrée d'air du ventilateur est obstruée, libérez-la.

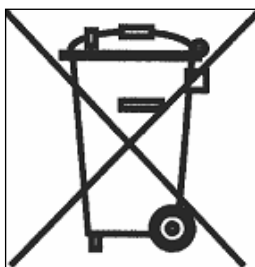
Le symbole [E C] s'affiche :

- Erreur de configuration. Configurer à nouveau la table, en se référant au chapitre « Le symbole [E 4] s'affiche ».

Si un des symboles ci-dessus persiste, appelez le SAV.

PROTECTION DE L'ENVIRONNEMENT

- Les matériaux d'emballage sont écologiques et recyclables.
- Les appareils électroniques sont composés de matériaux recyclables et parfois de matériaux nocifs pour l'environnement, mais nécessaires au bon fonctionnement et à la sécurité de l'appareil.



- Ne jetez en aucun cas votre appareil avec les déchets ménagers.
- Faites appel au service d'enlèvement ou aux sites de dépôt mis en place par votre commune et adaptés au recyclage des appareils électroménagers.

INSTRUCTIONS D'INSTALLATION

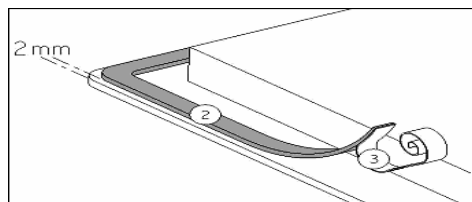
Le montage relève de la compétence exclusive de spécialistes.

L'utilisateur est tenu de respecter la législation et les normes en vigueur dans son pays de résidence.

Mise en place du joint d'étanchéité

Le joint adhésif fourni avec l'appareil permet d'éviter toute infiltration dans le meuble.

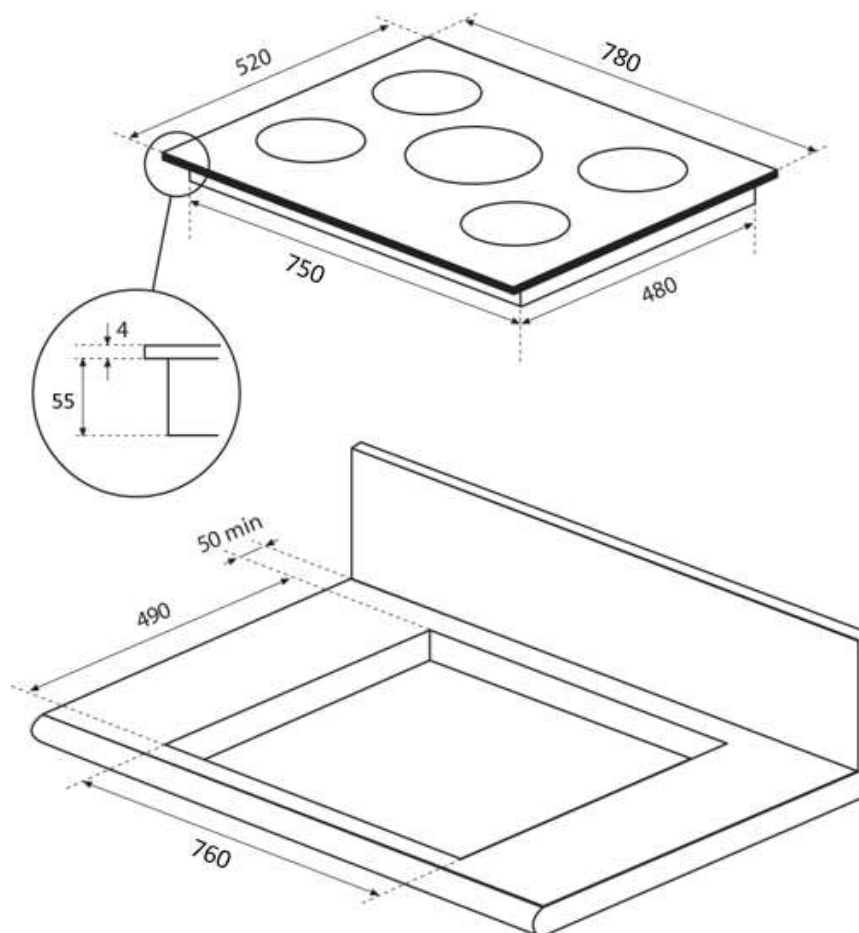
Sa mise en place doit être effectuée avec un grand soin suivant le croquis ci-dessous.



Coller le joint (2) sur le rebord de la table à 2mm du bord externe, après avoir ôté la feuille de protection (3).

Encastrement

- La découpe du plan de travail sera suivant le modèle de table de :



Ref.	Dimension de découpe		Dimension de découpe dit « à fleur »			Dimension du verre		
	Largeur	Profondeur	Largeur	Profondeur	Rayon	Largeur	Profondeur	Epaisseur
P784IC1B2NEE	750	490	786	526	8	780	520	4

- **La distance entre la table de cuisson et le mur doit être au minimum de 50mm.**
- La table de cuisson est un appareil qui appartient à la classe de protection « Y ». Lors de son encastrement, une paroi d'armoire haute ou un mur peut se trouver sur l'un des côtés et sur la face arrière. **Mais de l'autre côté, aucun meuble ni aucun appareil ne doit être plus haut que le plan de cuisson.**
- Les placages et revêtements des plans de travail doivent être réalisés en matériaux résistant à la chaleur (100°C).
- Les baguettes de bord murales doivent être thermo résistantes.
- Les matériaux des plans de travail peuvent gonfler au contact de l'humidité. Pour protéger le chant de la découpe, appliquer un vernis ou une colle spéciale.
- N'installer pas la table au dessus d'un four non ventilé ou d'un lave-vaisselle.
- Garantir entre le fond du caisson de l'appareil un espace de 20 mm pour assurer une bonne circulation de l'air de refroidissement de l'électronique.
- Si un tiroir se trouve sous le plan de cuisson, éviter d'y ranger des objets inflammables (par exemple : spray) et des objets non résistants à la chaleur.
- L'écart de sécurité entre la table de cuisson et la hotte aspirante placée au-dessus d'elle doit respecter les indications du fabricant de hottes. En cas d'absence d'instructions respecter une distance minimum de 760 mm.
- Le câble de raccordement ne doit être soumis, après encastrement, à aucune contrainte mécanique, comme par exemple du fait d'un tiroir.
- **MISE EN GARDE:** Utiliser uniquement les dispositifs de protection de table de cuisson conçus par le fabricant de l'appareil de cuisson ou indiqués par le fabricant de l'appareil dans les instructions d'utilisation comme adaptés ou les dispositifs de protection de table de cuisson intégrés à l'appareil. L'utilisation de dispositifs de protection non appropriés peut entraîner des accidents.

CONNEXION ÉLECTRIQUE

- L'installation de cet appareil et son branchement au réseau électrique ne doit être confiés qu'à un électricien parfaitement au fait des prescriptions normatives.
- La protection contre les pièces sous tension doit être assurée après le montage.
- Les données de raccordement nécessaires se trouvent sur la plaque signalétique et la plaque de branchement placées sous l'appareil.
- Cet appareil doit être séparé du secteur par un dispositif de sectionnement omnipôles. Lorsque celui-ci est ouvert (déclenché), un écartement de 3mm doit être assuré.
- Le circuit électrique doit être séparé du réseau par des dispositifs appropriés, par exemple les disjoncteurs, les fusibles, les disjoncteurs différentiels et les contacteurs.
- Si l'appareil n'est pas muni d'une fiche accessible, des moyens de déconnexion doivent être incorporés à l'installation fixe conformément aux réglementations de l'installation.
- Le câble d'alimentation doit être placé de sorte à ce qu'il ne touche pas de parties chaudes de la table de cuisson.

Attention !

Cet appareil n'est conçu que pour une alimentation en 230 V~ 50 / 60 Hz.

Raccordez toujours le fil de terre de protection.

Respectez le schéma de raccordement.

Le boîtier de raccordement se situe sous la plaque de cuisson. Pour ouvrir le capot, servez-vous d'un tournevis moyen. Placez le dans les 2 fentes situées à l'avant des 2 flèches.

Branchement de la table :

Réseau	Raccordement	Section cordon	Cordon d'alimentation	Calibre de disjoncteur
230V~ 50/60Hz	1 Phase + N	3 x 2.5 mm ²	H 05 VV - F H 05 RR - F	25 A *
400V~ 50/60Hz	2 Phases + N	4 x 1.5 mm ²	H 05 VV - F H 05 RR - F	16 A *

* calculé avec le coefficient de simultanéité suivant standard EN 60 335-2-6

Branchement de la table:

Pour vous adapter au réseau électrique (230V~1P+N ou 400V~2P+N), veuillez utiliser les pontets en laiton situés dans le boîtier de connexion

Monophasé 230V~1P+N :

Mettre un pontet entre 1 et 2.

Visser la terre au plot "terre", le neutre N au plot 4, la phase L sur le plot 1 ou 2.

Biphasé 400V~2P+N :

Visser la terre au plot "terre", le neutre N au plot 4, la phase L1 sur le plot 1 et la phase L2 sur le plot 2.

Attention ! Veuillez à bien engager les fils et à bien serrer les vis.

Notre responsabilité ne saurait être engagée pour tout incident résultant d'un mauvais branchement, ou qui pourrait survenir à l'usage d'un appareil non relié à la terre ou équipé d'une terre défectueuse.

RESUMEN

SEGURIDAD	64
PRECAUCIONES ANTES DE UTILIZARLA PARA COCINAR	64
UTILIZACION DEL APARATO	64
PRECAUCIONES PARA NO DETERIORAR EL APARATO	65
PRECAUCIONES EN CASO DE FALLO DEL APARATO	66
OTRAS PRECAUCIONES	67
DESCRIPCIÓN DEL APARATO	68
CARACTERISTICAS TECNICAS	68
ZONA DE MANDOS	69
UTILIZACIÓN DEL APARATO	69
TECLAS TACTILES	69
INDICACIONES	69
VENTILACION	70
PUESTA EN MARCHA Y USO DEL APARATO.....	70
ANTES DE LA PRIMERA UTILIZACION.....	70
PRINCIPIO DE LA INDUCCION	70
ZONA DE SELECCION DE POTENCIA “SLIDER” Y AJUSTE DE MINUTERO.....	70
PUESTA EN MARCHA	71
DETECCION DEL RECIPIENTE	71
INDICADOR DE CALOR RESIDUAL	71
FUNCION BOOSTER Y DOBLE BOOSTER	72
FUNCION TEMPORIZADOR	72
PROGRAMACION DE LA COCCION AUTOMATICA	73
FUNCION PAUSA.....	74
MEMORIZACION DE FUNCIONES.....	74
FUNCION BRIDGE	74
FUNCION “MANTENER CALIENTE”	75
BLOQUEO DE LA ZONA DE MANDOS.....	75
CONSEJOS DE COCCIÓN	76
CALIDAD DE LAS CACEROLAS.....	76
DIMENSION DE LAS CACEROLAS	76
EJEMPLOS DE AJUSTE DE LAS POTENCIAS DE COCCION	77
CONSERVACIÓN Y LIMPIEZA.....	77
QUÉ HACER EN CASO DE PROBLEMA.....	77
PROTECCIÓN DEL MEDIO AMBIENTE.....	79
INSTRUCCIONES DE INSTALACIÓN	80
CONEXIÓN ELÉCTRICA	82

SEGURIDAD

Precauciones antes de utilizarla para cocinar

- Retire todos los elementos del embalaje.
- La instalación y el conexionado eléctrico del aparato deben encargarse a un especialista autorizado. El fabricante no será responsable de los daños resultantes de un error de empotramiento o de conexionado.
- El aparato sólo debe utilizarse si está montado e instalado en un mueble y una superficie de trabajo homologados y adaptados.
- Su utilización va únicamente destinada a los usos domésticos habituales (preparación de alimentos), con exclusión de cualquier otra utilización doméstica, comercial o industrial.
- Retire todas las etiquetas y autoadhesivos del cristal vitrocerámico.
- No transforme ni modifique el aparato.
- La placa de cocción no debe servir como soporte ni como superficie de trabajo.
- La seguridad sólo está asegurada si el aparato está conectado a una toma de tierra de protección conforme a los reglamentos vigentes.
- No utilice alargadoras para la conexión a la red eléctrica.
- El aparato no debe utilizarse encima de un lavavajillas o de una secadora de ropa: los vapores de agua desprendidos podrían deteriorar la electrónica.
- Este aparato no está previsto para el funcionamiento con un reloj temporizador externo o un mando a distancia.

Utilización del aparato

- Apague siempre los fogones después de utilizarlos.
- Vigile constantemente los guisos que utilizan grasas y aceites, ya que son susceptibles de inflamarse rápidamente.
- Tenga cuidado del riesgo de quemaduras durante y después de la utilización del aparato.
- Los niños no deben manipular el aparato.
- Asegúrese de que ningún cable eléctrico, fijo o móvil, del aparato toca el cristal o el recipiente caliente.

- Los objetos magnetizables (tarjetas de crédito, disquetes informáticos, calculadoras) no deben estar cerca del aparato en funcionamiento.
- Este aparato electrodoméstico puede ser usado por niños a partir de 8 años e igualmente por personas con capacidades físicas, sensoriales o mentales reducidas o que carezcan falta de experiencia y conocimiento del producto si se les ha dado la supervisión instrucción adecuada para el uso del mismo de un modo seguro y entienden de igual manera los peligros que puedan implicar.
- Los niños no deben usar éste electrodoméstico para jugar.
- La limpieza o el uso de éste aparato no debe realizarse por niños sin supervisión.

Precauciones para no deteriorar el aparato

- Las cacerolas con base sin pulir (fundición no esmaltada,...) o estropeadas pueden dañar la vitrocerámica.
- La presencia de arena u otros materiales abrasivos puede dañar la vitrocerámica.
- Evite dejar caer objetos, aunque sean pequeños, sobre la vitrocerámica.
- No dé golpes a los bordes del cristal con las cacerolas.
- Asegúrese de que la ventilación del aparato se haga según las instrucciones del fabricante.
- No coloque ni deje cacerolas vacías sobre la placa de cocción.
- Evite que azúcar, materiales sintéticos o papel de aluminio toquen las zonas calientes. Estas sustancias pueden, al enfriarse, provocar roturas u otras modificaciones en la superficie vitrocerámica: desconecte al aparato y retírelas inmediatamente de la zona de cocción cuando aún está caliente (atención: peligro de quemaduras).
- No almacenar objetos sobre la placa de cocción
- No coloque nunca recipientes calientes sobre la zona de los mandos.

- Si hay un cajón situado bajo el aparato empotrado, asegúrese que hay distancia suficiente (2 cm) entre el contenido de este cajón y la parte inferior del aparato con el fin de asegurar una buena ventilación.
- No deposite objetos inflamables (por ejemplo sprays) en el cajón situado bajo la placa de cocción. Las eventuales bandejas para cubiertos deben ser de material resistente al calor.

Precauciones en caso de fallo del aparato

- Si se constata una avería, es necesario desconectar el aparato y desenchufar la línea de alimentación eléctrica.
- En caso de desconchados o fisuras en la vitrocerámica es imperativo desconectar el aparato de la red eléctrica y avisar al servicio posventa.
- Las reparaciones sólo pueden ser realizadas por personal especializado. En ningún caso abra el aparato usted mismo.
- **ADVERTENCIA** : Si la superficie está agrietada, apagar el aparato para evitar la posibilidad de descargas eléctricas.

Otras precauciones

- Asegúrese siempre de que el recipiente de cocción esté centrado en la zona de cocción. El fondo de la cacerola debe cubrir, tanto como sea posible, la zona de cocción.
- Para usuarios que lleven un marcapasos, el campo magnético puede influir en su funcionamiento. Le recomendamos se asesore con el proveedor o el médico.
- No utilice recipientes de material sintético o de aluminio: podrían fundirse sobre los fogones aún calientes.
- El deshecho de este aparato requiere un procedimiento especial. Consulte con su administración local sobre las posibilidades de reciclaje.
- No apagar nunca con agua un fuego. Apagar la zona de cocción. Sofocar con cuidado las llamas con una tapa, una tapa extintora u otro medio similar.



LA GARANTÍA SE VENCE SI SE USAN OLLAS NO IDÓNEAS O BIEN ACCESORIOS EXTRAÍBLES COLOCADOS ENTRE LA OLLA Y LA PLANCHA PARA CALENTAR OLLAS NO IDÓNEAS PARA LA INDUCCIÓN.

EL FABRICANTE SE EXIME DE TODA RESPONSABILIDAD POR CUALQUIER DAÑO A LA PLACA DE COCCIÓN O POR DAÑOS RELACIONADOS A LO ANTERIOR.



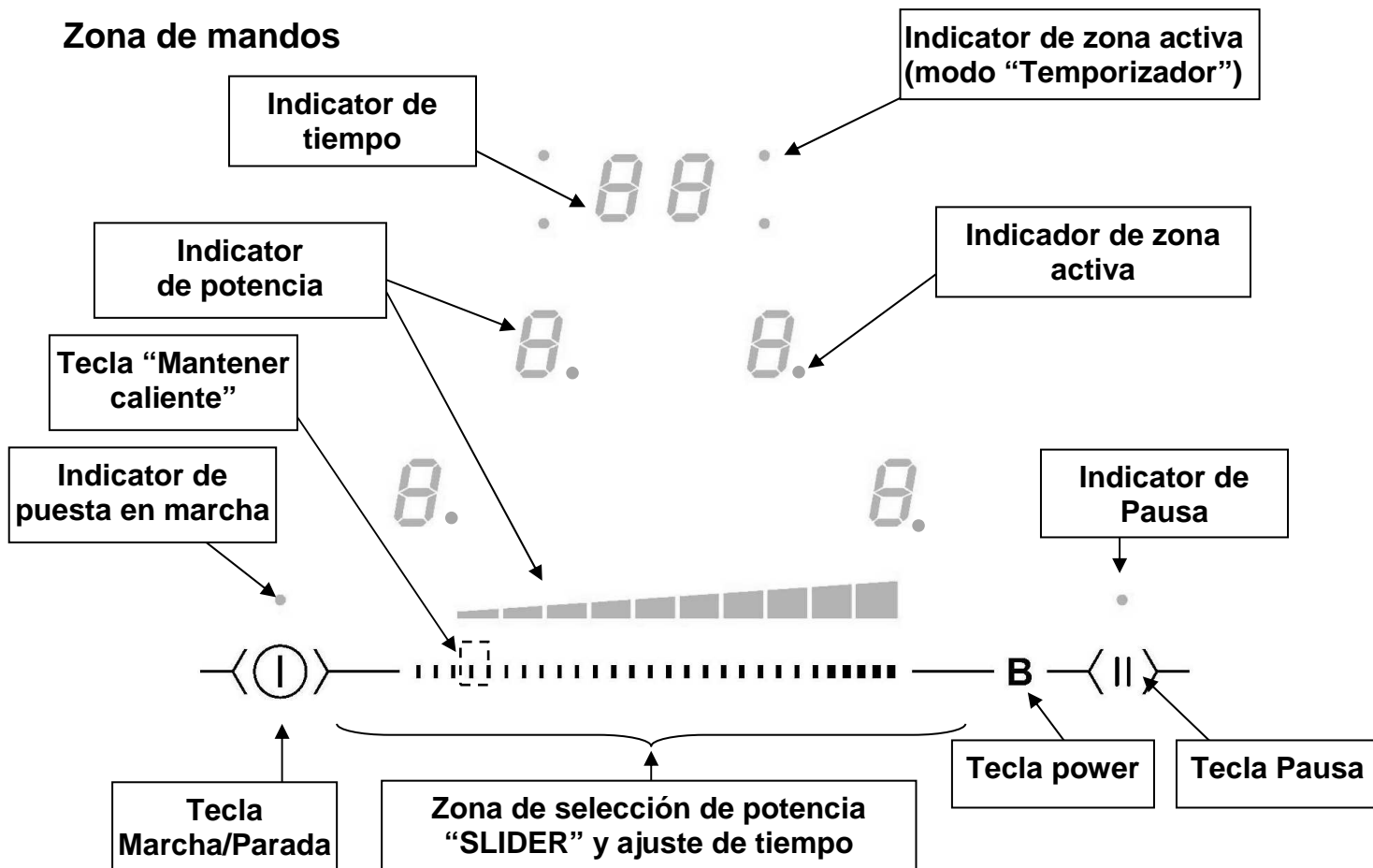
DESCRIPCIÓN DEL APARATO

Características técnicas

Modelo	P784IC1B2NEE
Potencia total	7400 W
Consumo energético para placas EC _{hob} **	168.3 Wh/kg
Fogón delantera	210 x 200 mm
Diámetro mínimo	Ø 90 mm
Potencia nominal *	2100 W
Potencia de booster *	2500 W
Potencia de doble booster *	3000 W
Categoría estandarizada de utensilios de cocina	B
Consumo energetico EC _{cw} **	161.3 Wh/kg
Fogón trasera	210 x 200 mm
Diámetro mínimo	Ø 90 mm
Potencia nominal *	1600 W
Potencia de booster *	1850 W
Potencia de doble booster *	-
Categoría estandarizada de utensilios de cocina	B
Consumo energetico EC _{cw} **	161.3 Wh/kg
Fogón trasera	Ø 215 mm
Diámetro mínimo	Ø 100 mm
Potencia nominal *	2300 W
Potencia de booster *	3000 W
Potencia de doble booster *	-
Categoría estandarizada de utensilios de cocina	C
Consumo energetico EC _{cw} **	168.4 Wh/kg
Fogón delantera	Ø 175 mm
Diámetro mínimo	Ø 90 mm
Potencia nominal *	1100 W
Potencia de booster *	1400 W
Potencia de doble booster *	-
Categoría estandarizada de utensilios de cocina	A
Consumo energetico EC _{cw} **	181.9 Wh/kg

* la potencia puede variar en función de las dimensiones y de los materiales de las cacerolas.

** calculado según método de medida (EN 60350-2)



UTILIZACIÓN DEL APARATO

Teclas táctiles

Su aparato está provisto de teclas táctiles que permiten controlar las distintas funciones. Un pequeño roce con la tecla activa su funcionamiento. Esta activación queda confirmada por un piloto, un indicador y/o por una señal sonora.

No toque una tecla más de una vez.

Indicaciones

<u>Indicación</u>	<u>Designación</u>	<u>Función</u>
0	Cero	Zona de cocción activada
1...9	Nivel de potencia	Elección nivel de cocción
<u>U</u>	Detección de cacerola	Falta recipiente o es inadecuado
A	Acelerador de calor	Cocción automática
E	Mensaje de error	Fallo electrónico
H	Calor residual	La zona de cocción aún caliente
P	Power	Activada la potencia power
L	Bloqueo	Los botones están bloqueados
II	Pausa	La pausa está activada
U	Mantener caliente	La placa mantiene el recipiente a temperatura constante de 70°C

Ventilación

El ventilador de enfriamiento tiene un funcionamiento totalmente automático. Se pone en marcha a velocidad baja a partir del momento en que el calor desprendido por el sistema electrónico sobrepasa un cierto umbral. La ventilación activa su velocidad más alta cuando la placa de cocción se usa de forma intensiva. El ventilador reduce su velocidad y se para automáticamente cuando el circuito electrónico está suficientemente frío.

PUESTA EN MARCHA Y USO DEL APARATO

Antes de la primera utilización

Limpie el aparato con un trapo húmedo y séquelo. No utilice detergente ya que podría provocar una coloración azulada en las superficies vitrificadas.

Principio de la inducción

Debajo de cada placa de cocción hay una bobina de inducción. Cuando ésta está conectada, produce un campo electromagnético variable el cual produce a su vez corrientes inducidas en el fondo ferromagnético del recipiente. De ello resulta un calentamiento del recipiente colocado sobre la zona de calentamiento.

Como es lógico, el recipiente debe ser adecuado:

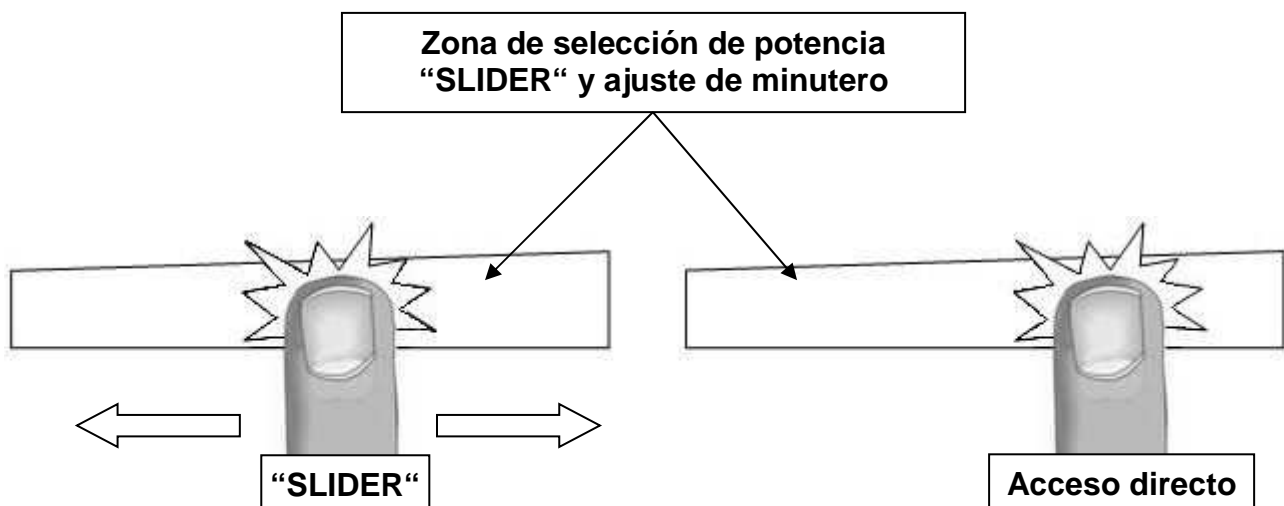
- Se recomiendan todos los recipientes metálicos ferro-magnéticos (a verificar eventualmente con un pequeño imán) tales como: cazuelas de fundición, sartenes de hierro negro, cacerolas metálicas esmaltadas, en acero inoxidable con base ferro-magnética...
- Quedan excluidos los recipientes de cobre, inoxidable, aluminio, cristal, madera, cerámica, gres, barro cocido, inoxidable no ferro-magnético...

La zona de cocción por inducción tiene automáticamente en cuenta el tamaño del recipiente utilizado. Con un diámetro demasiado pequeño, el recipiente no funciona. Este diámetro varía en función del diámetro de la zona de cocción.

Cuando el recipiente no es adecuado para la placa de cocción, queda encendido el símbolo [U].

Zona de selección de potencia “SLIDER” y ajuste de minuterero

Para la selección de potencia con el slider deslizar el dedo sobre la zona “SLIDER”. Se beneficia de un acceso directo apoyando el dedo directamente en el nivel deseado.



Puesta en marcha

- **Conectar / Apagar la placa de cocción:**

<u>Acción</u>	<u>Zona de mandos</u>	<u>Indicador</u>
Conectar	pulsar [①]	[0] parpadear
Apagar	pulsar [①]	ninguno o [H]

- **Conectar / Apagar una zona de calentamiento:**

<u>Acción</u>	<u>Zona de mandos</u>	<u>Indicador</u>
Seleccionar la zona	pulsar [0] de la zona	[0] y piloto de zona encendido
Ajuste la potencia	deslizar en “SLIDER” hacia la derecha o la izquierda	[0] hasta [9]
Apagar	deslizar hasta [0] en “SLIDER” o pulsar [0]	[0] o [H] [0] o [H]

Si no se realiza ningún ajuste en el plazo de 20 segundos, el sistema vuelve a la posición de espera.

Detección del recipiente

La detección del recipiente asegura una seguridad perfecta. La inducción no funciona:

- Cuando no hay recipiente sobre la zona de cocción o cuando este recipiente no es adecuado para la inducción. En este caso es imposible aumentar la potencia y aparece el símbolo [U] en el indicador. La [U] desaparece cuando se coloca una cacerola en la zona de cocción.
- Si en el curso de la cocción se retira el recipiente de la zona de cocción, el funcionamiento se interrumpe. Aparece el símbolo [U] en el indicador. La [U] desaparece cuando se coloca de nuevo el recipiente en la zona de cocción. La cocción se reemprende en el nivel de potencia seleccionado anteriormente.

Después la utilización de la placa, es necesario apagar la zona de cocción. No dejan activa la detección de la cacerola.

Después la utilización de la placa, es necesario apagar la zona de cocción. No dejan activa la detección de la cacerola.

Indicador de calor residual

Después de apagar las zonas de cocción o de apagar por completo la placa, las zonas de cocción están aún calientes lo que se indica con el símbolo [H]

El símbolo [H] se apaga cuando las zonas de cocción se pueden tocar sin peligro.

Mientras los testigos de calor residual estén encendidos, no toque las zonas de cocción ni ponga encima ningún objeto sensible al calor **¡Peligro de quemadura y de incendio!**

Función booster y doble booster

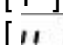
La función booster [P] proporciona un refuerzo de potencia en la zona de cocción seleccionada. Si se activa esta función, estas zonas de cocción funcionan durante 5 minutos con una potencia notablemente más alta.

El power está destinado, por ejemplo, a calentar rápidamente grandes cantidades de agua, como para cocer pasta.

- **Conectar / Apagar la función booster :**

<u>Acción</u>	<u>Zona de mandos</u>	<u>Indicador</u>
Seleccionar la zona	pulsar [0] de la zona	[0] y piloto de zona encendido
Conectar el booster	pulsar [B]	[P]
Apagar el booster	deslizar en "SLIDER"	[P] hasta [0]

- **Conectar/ desconectar doble booster :**

<u>Accionamiento</u>	<u>Panel de control</u>	<u>Indicación</u>
Seleccionar la zona	pulsar [0] de la zona	[0] y piloto de zona encendido
Conectar booster	pulsar [B]	[P]
Conectar doble booster	pulsar de nuevo [B]	[] parpadea con [P]
Desconectar doble booster	pulsar [B]	[P]
Desconectar booster	deslizar en "SLIDER"	[9] hasta [0]

- **Gestión de la potencia máxima:**

El conjunto de la placa de cocción está dotado de una potencia máxima. Cuando está activada la función power, y para no sobrepasar esta potencia máxima, el mando electrónico reduce automáticamente el nivel de cocción de otra zona de calentamiento.

Durante algunos segundos, el indicador de esta zona de cocción parpadea [9] y después queda en el nivel de cocción más alto posible:

<u>Zona de cocción seleccionada</u> [P] está indicado	<u>Otra zona de cocción</u> (por ej.: cocción de nivel 9) [9] pasa a [6] u [8] según el tipo de placa
--	---

Función Temporizador

El temporizador puede asignarse simultáneamente a varias placas de cocción y con ajustes diferentes de tiempo en minutos (de 0 a 99 minutos) para cada una de las placas.

- **Ajuste o modificación de la duración de la cocción:**

Ejemplo para 16 minutos hasta potencia 7 :

<u>Acción</u>	<u>Zona de mandos</u>	<u>Indicador</u>
Seleccionar la zona	pulsar [0] de la zona	[0] y piloto de zona encendido
Seleccionar la potencia	deslizar en "SLIDER" hasta [7]	[7]
Seleccionar "Temporizador"	pulsar [CL]	[00]
Ajuste de unidad	deslizar en "SLIDER" hasta [6]	[0 fijo] [6 parpadear]
Validar de unidad	pulsar [06]	[0 parpadear] [6 fijo]
Ajuste de decena	deslizar en "SLIDER" hasta [1]	[1 parpadear] [6 fijo]
Validar de decena	pulsar [16]	[16]

La duración queda seleccionada y se inicia la cuenta atrás.

- **Detener la función temporizador de cocción:**

Ejemplo para 13 minutos hasta potencia 7 :

<u>Acción</u>	<u>Zona de mandos</u>	<u>Indicador</u>
Seleccionar la zona	pulsar [7] de la zona	[7] y piloto de zona encendido
Seleccionar "temporizador"	pulsar [13]	[13]
Desactivar de unidad	deslizar en "SLIDER" hasta [0]	[1 fijo] [0 parpadear]
Validar de unidad	pulsar [10]	[1 parpadear] [0 fijo]
Desactivar de decena	deslizar en "SLIDER" hasta [0]	[00 parpadear] [0 fijo]
Validar de decena	pulsar [00]	[00]

- **Paro automático al final de la cocción:**

Cuando ha transcurrido el tiempo de cocción seleccionado, el temporizador lo indica centelleando [00] y produciendo una señal sonora.

Para parar el sonido y el parpadea, basta pulsar la tecla [00].

- **Temporizador utilizado sin cocción:**

Ejemplo para 29 minutos :

<u>Acción</u>	<u>Zona de mandos</u>	<u>Indicador</u>
Activar la placa de cocción	pulsar [⏻]	[0]
Seleccionar "Temporizador"	pulsar [CL]	[00]
Ajuste de unidad	deslizar en "SLIDER" hasta [0]	[0 fijo] [9 parpadear]
Validar de unidad	pulsar [09]	[0 parpadear] [9 fijo]
Ajuste de decena	deslizar en "SLIDER" hasta [2]	[2 parpadear] [9 fijo]
Validar de decena	pulsar [29]	[29]

El piloto de control parpadea y pasados algunos segundos se apaga.

Cuando ha transcurrido el tiempo seleccionado, el temporizador lo indica parpadeando [00] y produciendo una señal sonora.

Para parar el sonido y el parpadea, basta pulsar la tecla [00].

Programación de la cocción automática

Todas las zonas de cocción están equipadas con un dispositivo de cocción automática. La zona de cocción se pone en marcha a máxima potencia durante un cierto tiempo y después reduce automáticamente su potencia hasta el nivel preseleccionado.

- **Puesta en marcha de la cocción automática:**

<u>Acción</u>	<u>Zona de mandos</u>	<u>Indicador</u>
Seleccionar la zona	pulsar [0] de la zona	[0] y piloto de zona encendido
Activar la potencia total	deslizar en "SLIDER" hasta [9]	pasa de [0] a [9]
Activar la cocción automática	pulsar de nuevo [9] en "SLIDER"	[9] parpadear con [A]
Seleccionar nivel	deslizar en "SLIDER"	[9] pasa a [8] [7] ...
(por ejemplo "7")	hasta [7]	[7] parpadear con [A]

- **Parada de la cocción automática:**

<u>Acción</u>	<u>Zona de mandos</u>	<u>Indicador</u>
Seleccionar la zona	pulsar [7] de la zona	[7] parpadear con [A]
Seleccionar nivel	deslizar en "SLIDER"	[1] ... [9]

Poder seleccionado	Cocina automática tiempo (Min: Sec)
1	00:48
2	02:24
3	03:36
4	05:24
5	06:48
6	02:00
7	02:48
8	03:36
9	- : -

Función pausa

Esta función define todas las zonas de cocción activadas y permite reiniciarlas con la misma configuración.

- **Conectar / apagar a función pausa:**

<u>Acción</u>	<u>Zona de mandos</u>	<u>Indicador</u>
Activar pausa	pulsar [II] durante 2s	[II]
Detener pausa	pulsar [II] durante 2s pulsar una otro tecla o deslizar en "SLIDER"	Piloto pausa parpadear piloto pausa apagado

Memorización de funciones

Después de apagar la placa [①], es posible recordar los últimos ajustes.

- Cocinar en todas las zonas de cocción (Potencia).
- Minutos y segundos de cocción programados en el minutero.
- Función de cocción automática.

El procedimiento para recuperar la configuración precedente es el siguiente:

- Pulse la tecla [①].
- A continuación, pulse la tecla [II] durante 6 segundos.

La configuración precedente queda activada.

Función Bridge

Esta función permite un puentado de las zonas de cocción con las mismas funcionalidades que una zona de cocción. No se permite la función power.

<u>Accionamiento</u>	<u>Panel de control</u>	<u>Indicación</u>
Conectar la cubeta de cocción	Presionar [①]	[0] o [H]
Conectar Bridge	presione las 2 áreas	[0] en la zona frente y [II] en la zona trasero
Aumentar potencia	Deslizar en "SLIDER"	[1] a [9] o [U]
Desconectar Bridge	[1 ... 9] o [mantener caliente] presione las 2 áreas	[0] o [H]

Función “Mantener caliente”


Esta función permite alcanzar y mantener automáticamente una temperatura de 70°C. Con ello se evitarán los derrames de líquidos sobre la placa y que se peguen en la parte inferior del recipiente.

- **Iniciar / Detener la función Conservador de calor**


<u>Acción</u>	<u>Zona de mandos</u>	<u>Indicador</u>
Seleccionar la zona	pulsar [0] de la zona	[0] ... [9] o [H]
Activar “Mantener caliente”	pulsar [Mantener caliente] en “SLIDER”	[U]
Detener “Mantener caliente”	deslizar en “SLIDER”	[0] ... [9] o [H]

Esta función puede ser usada independientemente en todas las zonas de cocción. Cuando el recipiente se quita de la zona de cocción el conservador de calor permanece activo durante 10 minutos. El tiempo máximo de duración es de 2 horas.


Bloqueo de la zona de mandos

Para evitar que se modifique una selección de la placa de cocción, particularmente cuando se limpia el cristal, la zona de mandos se puede bloquear (con la excepción de la tecla marcha/paro []).

- **Bloqueo:**

<u>Acción</u>	<u>Zona de mandos</u>	<u>Indicador</u>
Puesta en marcha	Pulsar []	[0] o [H]
Bloquear la placa	Pulsar a la vez [B] y [0] de la zona trasera derecha frontal pulsar de nuevo [0]	[L]

- **Desbloqueo:**

<u>Acción</u>	<u>Zona de mandos</u>	<u>Indicador</u>
Puesta en marcha En los 5 segundos	pulsar []	[L]
Desbloquear la placa	Pulsar a la vez [B] y [L] de la zona trasera derecha frontal pulsar [B]	[0]

CONSEJOS DE COCCIÓN

Calidad de las cacerolas

Materiales adecuados: acero, acero esmaltado, fundición, inoxidable con fondo ferro-magnético, aluminio con fondo ferro-magnético

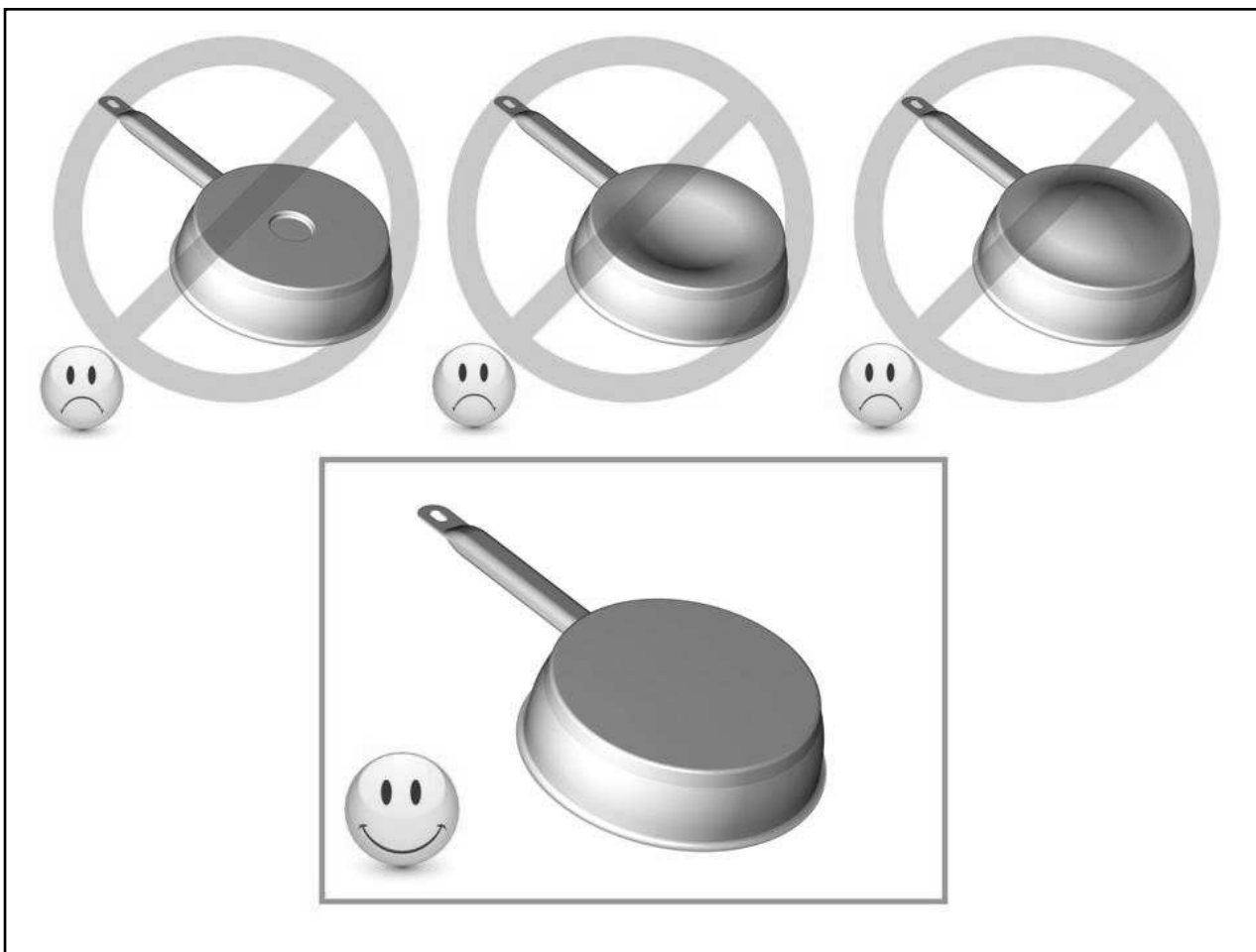
Materiales no adecuados: aluminio e inoxidable con fondo no ferro-magnético, cobre, latón, vidrio, cerámica, porcelana

Los fabricantes especifican si sus productos son compatibles con la inducción.

Para verificar si las cacerolas son compatibles:

- Ponga un poco de agua en una cacerola colocada sobre una zona de cocción por inducción regulada a nivel [9]. Este agua debe calentarse en algunos segundos.
- Ponga un imán sobre el fondo externo de la cacerola; debe quedarse pegado.

Algunas cacerolas pueden hacer ruido al colocarlas sobre una zona de cocción por inducción. Estos ruidos no representan en ningún caso un defecto en el aparato ni tienen influencia en su funcionamiento.



Dimensión de las cacerolas

Las zonas de cocción se adaptan automáticamente a la dimensión del fondo de la cacerola, hasta un cierto límite. Por ello, el fondo de esta cacerola debe tener un diámetro mínimo en función del diámetro de la zona de cocción correspondiente.

Para obtener el máximo rendimiento de la placa de cocción, coloque la cacerola bien centrada en la zona de cocción.

Ejemplos de ajuste de las potencias de cocción

(los siguientes valores son indicativos)

1 a 2	Hacer fundir Recalentar	Salsas, mantequilla, chocolate, gelatina Platos precocinados
2 a 3	Inflar Descongelar	Arroz, puddings y platos cocinados Legumbres, pescados, productos congelados
3 a 4	Vapor	Legumbres, pescados, carne
4 a 5	Agua	Patatas hervidas, sopas, pastas Legumbres frescas
6 a 7	Cocer a fuego suave	Carnes, hígado, huevos, salchichas Goulasch, filetes rellenos, callos
7 a 8	Cocer, Freír	Patatas, buñuelos, tortas
9	Freír, llevar a ebullición	Filetes, tortillas, agua
P	Freír, Llevar a ebullición	Llevar a ebullición cantidades importantes de agua

CONSERVACIÓN Y LIMPIEZA


Es necesario apagar completamente el aparato para limpiarlo.

Deje enfriar el aparato, ya que hay riesgo de quemaduras.

- Limpie los restos de cocción con agua a la que haya añadido un producto lavavajillas o un producto comercial aconsejado para vitrocerámica.
- No utilice productos de limpieza abrasivos que podrían dañar el aparato.
- Seque el aparato con un trapo limpio.
- Retire inmediatamente el azúcar o materiales que contengan azúcar.
- No utilice en ningún caso aparatos "a vapor" o "a presión".
- No utilice objetos que comporten riesgo de rayar la vitrocerámica (como estropajos abrasivos o puntas de cuchillo ...).

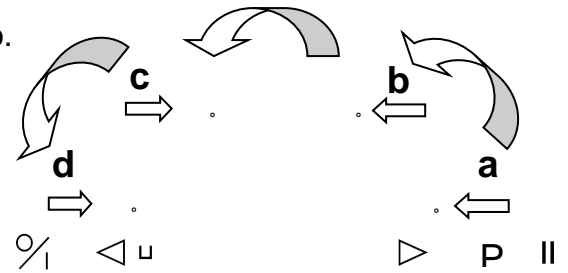
QUÉ HACER EN CASO DE PROBLEMA

EL símbolo [E 4] aparece :

- i) La placa debe ser reconfigurada según el siguiente procedimiento:
 - Antes de iniciar el procedimiento hay que:
 - Retirar todos los recipientes de la placa de inducción.
 - Tener a mano un recipiente adecuado para inducción.
 - Desconectar la placa de la red eléctrica : Desconectar el cable de corriente.
 - Conectar otra vez la placa a la red eléctrica : Conectar de nuevo el cable de corriente.
 - Iniciar el procedimiento al menos 2 minutos después de la reconexión a la red eléctrica.
 - No pulsar la tecla []

I) Primero hay que anular la configuración existente

- 1) Presionar la tecla [B] y mantener presionado.
- 2) En cada indicador aparece un [.]
- 3) Con un dedo de la otra mano presionar sucesiva y rápidamente (en menos de 2 segundos) las [.]. Partiendo de la zona delantera derecha y girando en sentido contrario a las agujas del reloj (a -> b -> c -> d).



Un doble "bip" significa un error de manipulación. En este caso, repetir la operación a partir de la etapa numero 1.

4) Retirar los dedos de las teclas y volver a presionar la tecla [Ⓛ] durante algunos segundos hasta que aparezcan las [E] parpadeantes.

5) Esperar hasta que las [E] permanezcan fijas.

6) Las [E] cambiarán automáticamente a [C]. La configuración ha sido anulada.

Nota : En las placas de inducción con 3 zonas de cocción : poner en marcha con la zona trasera derecha (b) (la zona delantera derecha no existe).

III) Como reconfigurar la placa :

- 1) Utilizar un recipiente ferromagnético con un diámetro mínimo de 16cm.
- 2) Seleccionar la zona de cocción presionando la [C] correspondiente.
- 3) Poner el recipiente sobre la zona a configurar.
- 4) Esperar hasta que la [C] cambie a [-]. La zona de cocción se ha configurada.
- 5) Proceder de la misma forma para todas las zonas de cocción en las que aparecen la [C].
- 6) La placa de cocción han sido configuradas

Utilizar solo un recipiente para efectuar la configuración.

Ne colocar jamás más recipiente sobre los fogones durante la configuración.

- Si el indicador [E 4] persiste, llame al Servicio Post-Venta.

La placa de cocción o las zonas de cocción no se encienden:

- La placa está mal conectada a la red eléctrica
- El fusible de protección ha saltado
- Verifique que no esté activado el bloqueo
- Las teclas táctiles están cubiertas de agua o de grasa
- Hay un objeto encima de las teclas táctiles

El símbolo [U] se enciende:

- No hay cacerola en la zona de cocción
- El recipiente utilizado no es compatible con la inducción
- El diámetro del fondo de la cacerola es demasiado pequeño respecto a la zona de cocción

El símbolo [E] se enciende:

- Hay un fallo en el sistema electrónico
- Desconecte y vuelva a conectar el aparato

Una de las zonas o el conjunto de la placa de cocción se desconecta:

- Ha saltado la desconexión de seguridad
- Ésta se acciona en caso que haya olvidado de apagar una de las zonas de calentamiento
- Se conecta igualmente cuando una o varias teclas táctiles están tapadas
- Una de las cacerolas está vacía y su fondo se ha sobrecalentado
- La placa dispone igualmente de un dispositivo de reducción automática del nivel de potencia y de corte automático en caso de sobrecalentamiento

La ventilación continúa funcionando después de parar la placa:

- Esto no es un fallo, el ventilador continúa protegiendo la electrónica del aparato
- La ventilación se parará automáticamente

El mando de cocción automática no se conecta:

- La zona de cocción está aún caliente [H]
- Está conectado el nivel máximo de cocción [9]

El panel de control indica [L]:

- Referirse al capítulo de bloqueo del panel de control.

El panel de control indica [U]:

- Referirse al capítulo "Mantener caliente"

El panel de control indica [II]:

- Referirse al capítulo "Pausa"

El símbolo [] o [Er03] aparece en la pantalla:

- Un objeto o líquido cubre las teclas de control. El símbolo desaparece cuando la llave de libertad o limpiar

El símbolo [E2] o [E H] aparece en la pantalla:

- La placa se ha sobrecalentado, deje que se enfríe y vuelva a ponerla en marcha.

El símbolo [E3] aparece en la pantalla:

- El recipiente no es adecuado, cambie la cazuela o sartén.

El símbolo [E6] aparece en la pantalla:

- Red eléctrica defectuosa. Controlar la frecuencia y la tensión de la red eléctrica.

El símbolo [E8] aparece en la pantalla:

- Entrada de aire al ventilador obstruida, Libérela.

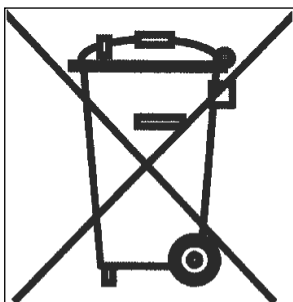
El símbolo [E C] aparece en la pantalla:

- Error de configuración. Configure de nuevo la placa, siguiendo el apartado "El símbolo [E 4] aparece».

Si uno de los símbolos anteriores persiste, llame al servicio técnico.

PROTECCIÓN DEL MEDIO AMBIENTE

- Los materiales de embalaje son ecológicos y reciclables
- Los aparatos electrónicos están formados por materiales reciclables y a veces de materiales nocivos para el medio ambiente, pero necesarios para el buen funcionamiento y la seguridad del aparato



- No tirar nunca su aparato con los residuos domésticos
- Llame al servicio de retirada de electrodomésticos o déjelo en los lugares de depósito establecidos por su municipio y adaptados al reciclaje de los aparatos electrodomésticos

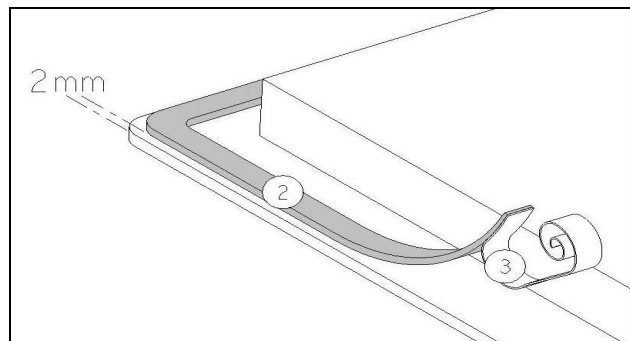
INSTRUCCIONES DE INSTALACIÓN

El montaje es competencia exclusiva de especialistas.

El usuario está obligado a respetar la legislación y las normas en vigor en su país de residencia.

Colocación de la junta de estanqueidad

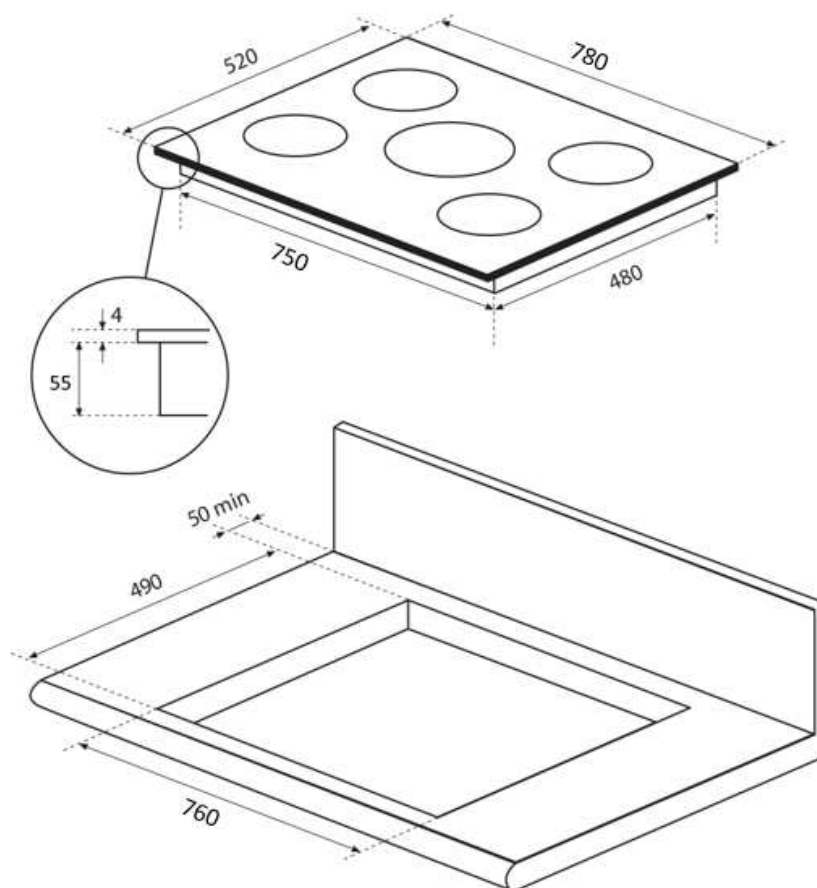
La junta adhesiva suministrada con el aparato permite evitar cualquier filtración en el mueble. Su colocación debe efectuarse con gran cuidado según el croquis adjunto.



Pegar la junta (2) sobre el reborde de la placa, a 2 mm del borde exterior, después de haber quitado la lámina de protección (3).

Encaje:

- La abertura en la superficie de trabajo será, según el modelo, de:



Type	Tamanho de corte		Montagem embutida			Tamanho do vidro		
	Larg.	Prof.	Larg.	Prof.	Raio	Larg.	Prof.	Espessura
P784IC1B2NEE	750	490	786	526	8	780	520	4

- **La distancia entre la placa de cocción y la pared debe ser de 50 mm. como mínimo.**
- La placa de cocción es un aparato perteneciente a la clase de protección "Y". Cuando se empotre, en la parte posterior y en uno de los lados puede haber una pared o un armario alto. **Pero en el otro lado no debe haber ningún mueble ni aparato que sea más alto que la superficie de cocción**
- Las placas y revestimientos de las superficies de trabajo deben ser de materiales resistentes al calor (100°C)
- Las juntas de los bordes de la pared deben ser termo-resistentes
- Los materiales de las superficies de trabajo pueden hincharse en contacto con la humedad. Para los cantos del corte, aplique un barniz o una cola especial.
- No instale la placa encima de un horno sin ventilación ni de un lavavajillas
- Asegure **un espacio de 20 mm** entre el fondo de la caja del aparato y la pared para asegurar una buena circulación de aire para la refrigeración de la electrónica
- Si hay un cajón debajo de la superficie de cocción, evite guardar en él objetos inflamables (por ejemplo: sprays) y objetos que no resistan el calor
- La distancia de seguridad entre la placa de cocción y la campana de aspiración situada encima debe respetar las indicaciones del fabricante de la campana. En caso de falta de instrucciones, respete una distancia mínima de 760 mm.
- El cable de conexión no debe estar sometido, después de la colocación, a ninguna tensión mecánica, como la causada por un cajón
- **ADVERTENCIA:** Use sólo protectores de las placas fabricados por el fabricante del electrodoméstico de cocción o en su defecto los que el mismo indique en su manual de uso y que sean compatibles con los protectores incorporados en el aparato electrodoméstico. El uso de protecciones inadecuadas puede causar accidentes.

CONEXIÓN ELÉCTRICA

- La instalación de este aparato y su conexión a la red eléctrica sólo deben confiarse a un electricista que esté al día de las prescripciones reglamentarias.
- La protección contra las piezas bajo tensión eléctrica debe asegurarse después del montaje.
- Los datos necesarios para la conexión se encuentran en la placa de características y en la placa de conexión situadas debajo del aparato.
- Este aparato debe poderse aislar del sector por medio de un dispositivo de seccionamiento omnipolar. Cuando esté abierto (desconectado) debe asegurarse una separación de 3 mm.
- El circuito eléctrico debe estar separado de la red por dispositivos adecuados, por ejemplo disyuntores, fusibles, interruptores diferenciales y contactores.
- Si el aparato no está provisto de un conector accesible, en el montaje firme han de tenerse en cuenta otras posibilidades de desconexión de acuerdo con las instrucciones de montaje.
- El cable de alimentación tiene que colocarse de forma que no se toquen las piezas calientes de la placa de cocina.

Atención!

Este aparato está diseñado sólo para una alimentación de 230 V~ 50-60 Hz

Conecte siempre la toma de tierra de protección.

Siga el esquema de conexión.

La caja de conexión se encuentra debajo de la placa de cocción. Para abrir la tapa, utilice un destornillador medio. Colóquelo en las 2 ranuras situadas en la parte anterior de las 2 flechas.

Red	Conexión	Diámetro del cable	Cable	Calibre de protección
230 V~ 50-60 Hz	1 Fase + N	3 x 2,5 mm ²	H 05 VV - F H 05 RR - F	25 A *
400 V~ 50-60 Hz	2 Fases + N	4 x 1,5 mm ²	H 05 VV - F H 05 RR - F	16 A *

* calculado con el coeficiente de simultaneidad según la norma EN 60 335-2-6

Conexión de la encimera:

Para adaptarse a la red eléctrica (230 V~ 1 P+N o 400 V~ 2 P+N), utilice los puentes de latón situados en la caja de conexión.

Monofásico 230 V~ 1 P+N:

Poner un puente entre los bornes 1 y 2.

Atornillar el cable verde/amarillo en el borne previsto para la toma de tierra.

Atornillar el neutro N en el borne 4.

Atornillar la fase L en uno de los bornes 1 ó 2.

Bifásico 400 V~ 2 P+N:

Atornillar el cable verde/amarillo en el borne previsto para la toma de tierra.

Atornillar el neutro N en el borne 4.

Atornillar la fase L1 en el borne 1 y la fase L2 en el borne 2.

Atención! Asegúrese de que los cables están correctamente insertados y bien ajustados hacia a bajo.

No somos responsables de ningún incidente debido a una conexión incorrecta o que pudiere ocurrir a causa del uso de un aparato no conectado a tierra o equipado con una tierra defectuosa.

