

NEW
IN AUTUMN
2016



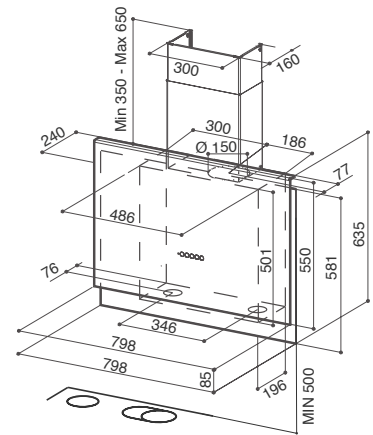
Old copper - OC



Cross titanium - CT



Dark grey concrete - DGC



To be installed at a minimum distance from the hob of **50 cm**.

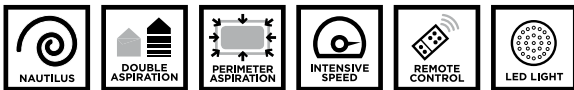
chimney finish: RAL Design 000 85 00

TALÌKA

TALIKA OC A80 cod. 110.0456.271

TALIKA CT A80 cod. 110.0456.272

TALIKA DGC A80 cod. 110.0456.273



(optional)



FEATURES	PERFORMANCES	ACCESSORIES
Finish · Old copper · Cross titanium · Dark grey concrete	Speed 1 2 3 INT Air capacity IEC point 260 385 445 530 Pressure 280 350 510 570 Input 80 95 110 125 Noise level 56 65 70 72	Cod. 112.0471.610 F19 Charcoal filter Cod. 112.0157.354 Remote control
Controls Squarcle touch		
Lighting LED lights		
Grease filter Cassettes dishwasher safe		
Ø of air outlet 150 / 120 mm		
Width 800 mm		
Energy class A		