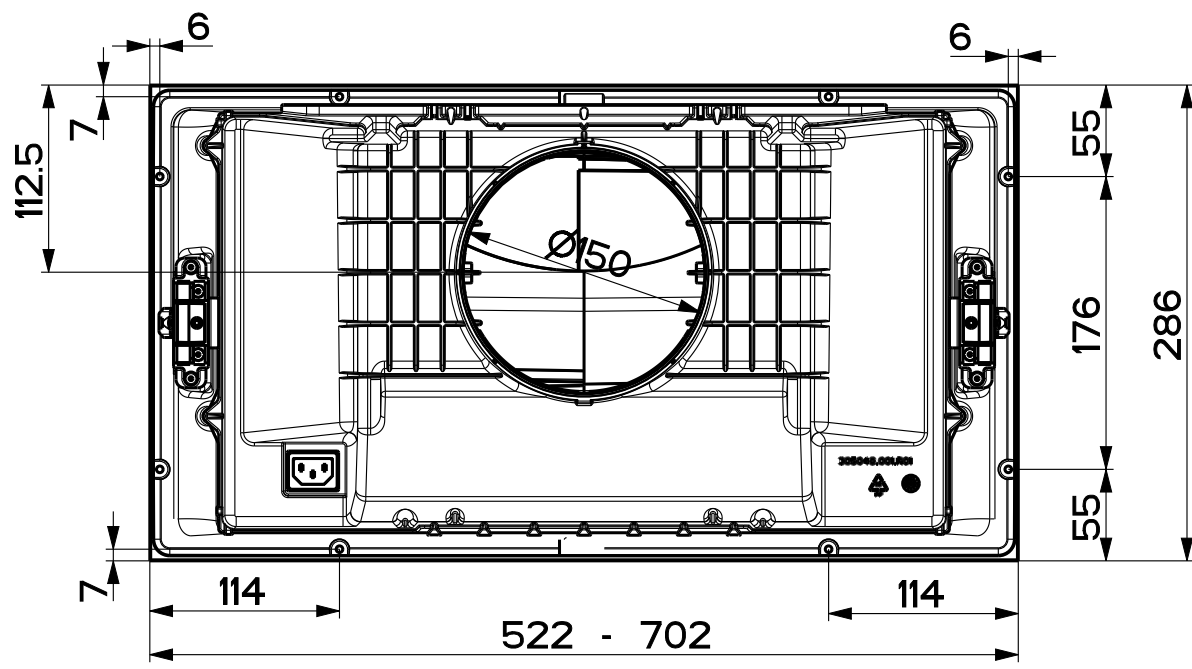
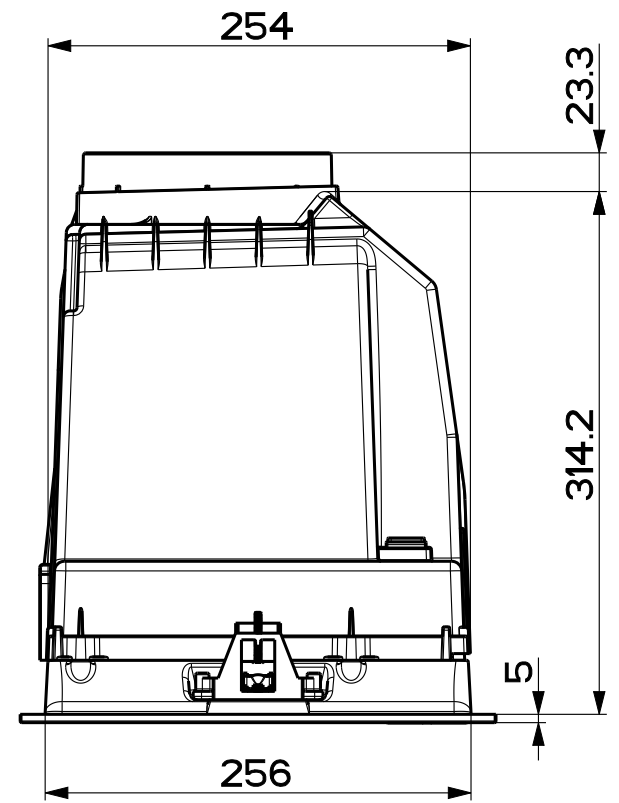
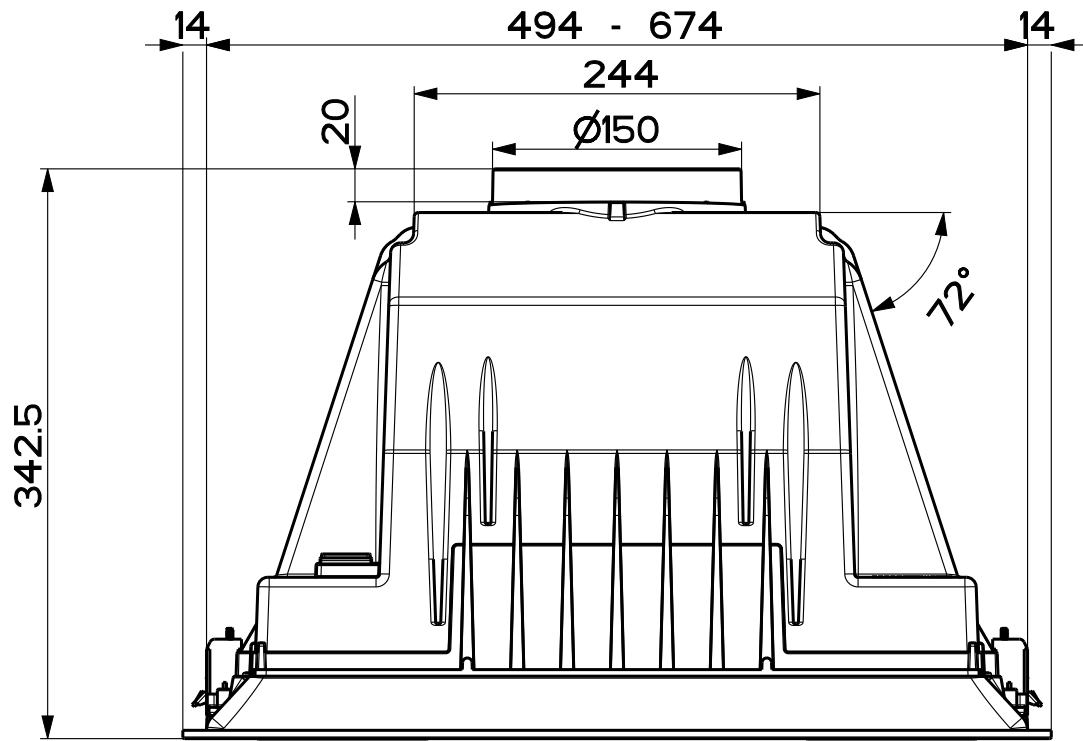


Created by <b>Palazzi, Walter</b>	
Denomination <b>DIMENSIONAL DRAWING</b>	
Lang <b>EN</b>	Sheet <b>1/2</b>
Modif.by	
Approved by <b>Palazzi, Walter</b>	
Approval date <b>02-Dec-2019</b>	
Doc. status <b>Released</b>	
Drawing N. <b>305048_743</b>	Rev <b>01</b>



Created by <b>Palazzi, Walter</b>	
Denomination <b>DIMENSIONAL DRAWING</b>	
Lang <b>EN</b>	Sheet <b>2/2</b>
Modif.by	
Approved by <b>Palazzi, Walter</b>	
Approval date <b>02-Dec-2019</b>	
Doc. status <b>Released</b>	
Drawing N. <b>305048_743</b>	Rev <b>01</b>