

**Series 2, fully-integrated dishwasher,
45 cm
SPV2HKX41E**



- **ExtraDry:** selectable option for additional drying.
- **Home Connect:** home appliances with smart connectivity for an easier everyday life.
- **Favourite function:** personalized function by just one touch.
- **InfoLight:** a red infolight on the floor indicates whether the dishwasher is switched on or off.
- **AquaStop:** Bosch's warranty in case of water damage – throughout the lifetime of the appliance.*

Technical Data

Energy Efficiency Class (Regulation (EU) 2017/1369): E
 Energy Consumption for 100 cycles Eco Programme (EU 2017/1369): 70 kWh
 Maximum number of place settings (EU 2017/1369): 9
 The water consumption of the eco programme in liters per cycle (EU 2017/1369): 8.5 l
 Programme duration (EU 2017/1369): 3:40 h
 Airborne acoustical noise emissions (EU 2017/1369): 46 dB(A) re 1 pW
 Airborne acoustical noise emission class (EU 2017/1369): C
 Cleaning performance: A
 Water consumption: 8.5 l
 Total annual energy consumption 220 days: 170 kWh
 Total annual water consumption 220 days: 1870 l
 Built-in / Free-standing: Built-in
 Removable top: No
 Door panel options: Not possible
 Height of removable worktop: 0 mm
 Height of the product: 815 mm
 Adjustable feet: Yes - all from front
 Maximum adjustability feet: 60 mm
 Net weight: 27.7 kg
 Gross weight: 29.5 kg
 Connection Rating: 2400 W
 Fuse protection: 10 A
 Voltage: 220-240 V
 Frequency: 50; 60 Hz
 Length electrical supply cord: 175 cm
 Plug type: GARDY plug w/ earthing
 Length inlet hose: 165 cm
 Length outlet hose: 205 cm
 Hidden heating element: Yes
 Water protection system description: Triple water protection 24h
 Child safety devices: No
 Water softener: Yes
 Top basket type: R2
 Adjustable upper basket: Single
 Bottom basket type: R2
 3rd Rack: None
 Optional accessories: SGZ1010, SGZ3003, SMZ1051EU, SMZ5000, SMZ5003, SMZ5006
 Included accessories 2: vapor barrier plate
 Number of place settings: 9
 Color / Material panel: Black
 Dimensions of the product (HxWxD): 815 x 448 x 550 mm
 Dimensions of the packed product (HxWxD): 880 x 670 x 510 mm



Series 2, fully-integrated dishwasher, 45 cm SPV2HKX41E

BOSCH - Header 1

- Home Connect enabled via WLAN

BOSCH - Header 2

- 5 programmes: Eco 50 °C, Auto 45-65 °C, Intensive 70 °C, Express 65 °C, Pre-Rinse
- Favourite Program
- 3 special options: Remote Start, Extra Dry, SpeedPerfect+
- Machine Care
- Silence on Demand (via app)

BOSCH - Header 3

- Heat exchanger.
- AquaSensor
- DosageAssist
- EcoSilence Drive
- DuoPower spray arms in top basket
- Detergent Automation
- Self-cleaning filter system with 3-fold corrugated filter
- Interior tub material: Stainless Steel

BOSCH - Header 4

- Vario basket system
- Low friction wheels on bottom basket
- Rack Stopper to prevent derailing of bottom basket
- Height adjustable top basket
- 2 foldable plate racks in bottom basket
- Cutlery rack in top basket
- Variable cutlery basket in bottom basket
- 2 cup shelves in top basket

BOSCH - Header 5

- Push button top controls
- Panel legend: Plain text (english)
- InfoLight (red)

BOSCH - Header 6

- AquaStop: Bosch warranty in case of water damage – for the lifetime of the appliance.*
- Glass protection technology
- incl. salt filling funnel
- Incl. Steam protection plate

BOSCH - Header 7

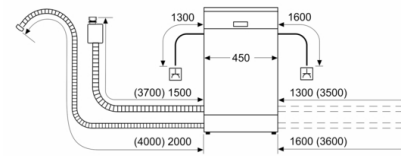
- Product dimensions (HxWxD): 81.5 x 44.8 x 55 cm

BOSCH - Header 8

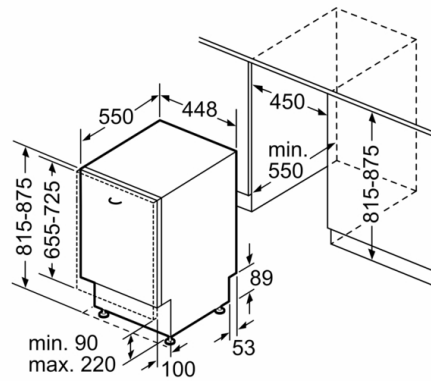
* Please find warranty terms under [please insert here the local URL (internet address, e.g. <https://www.bosch-home.com/> but with the direct page with the warranty terms)

Series 2, fully-integrated dishwasher, 45 cm SPV2HKX41E

measurements in mm



socket
() values with extension kit



measurements in mm